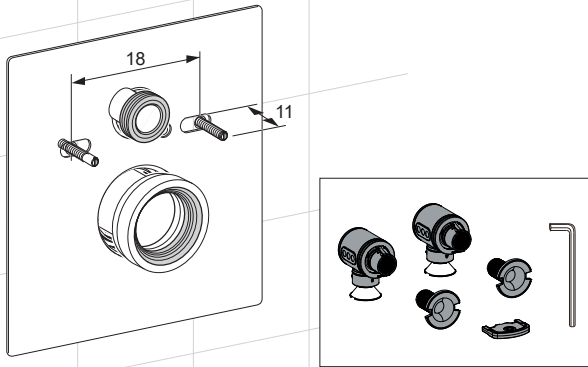
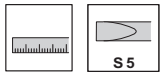


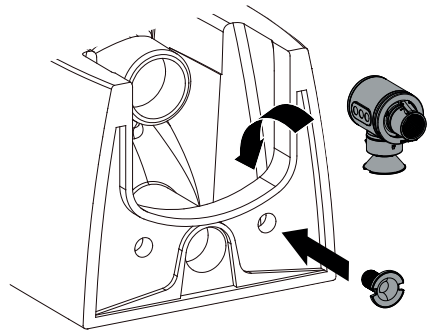


WALL-HUNG TOILET

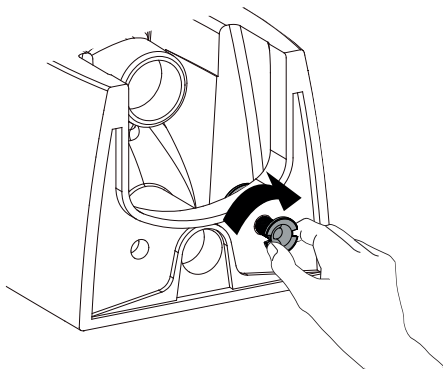
1



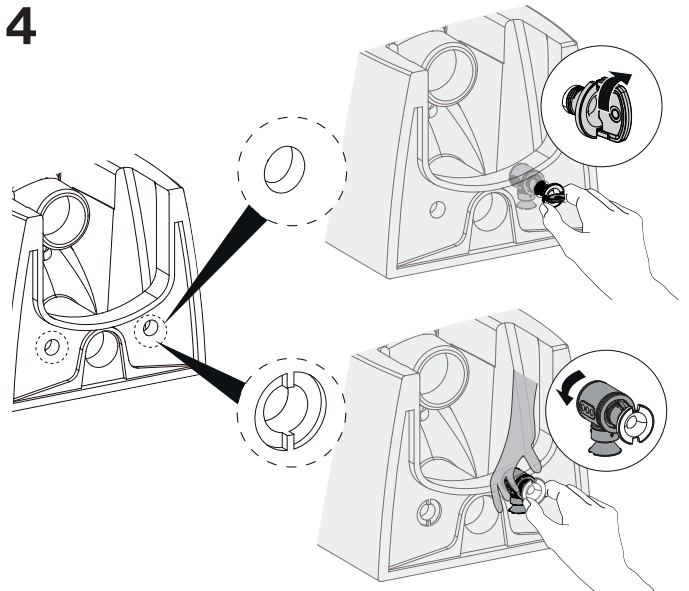
2



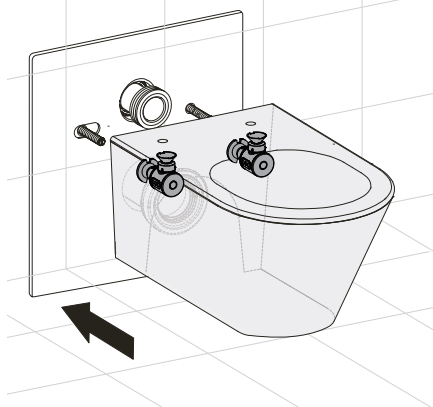
3



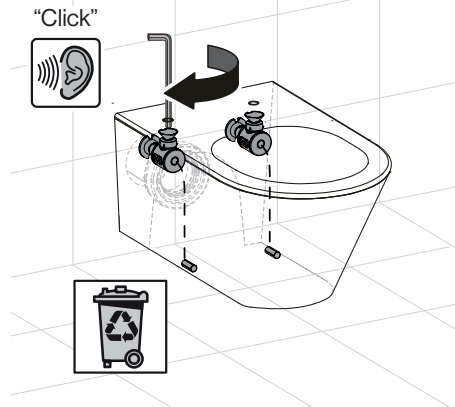
4



5



6

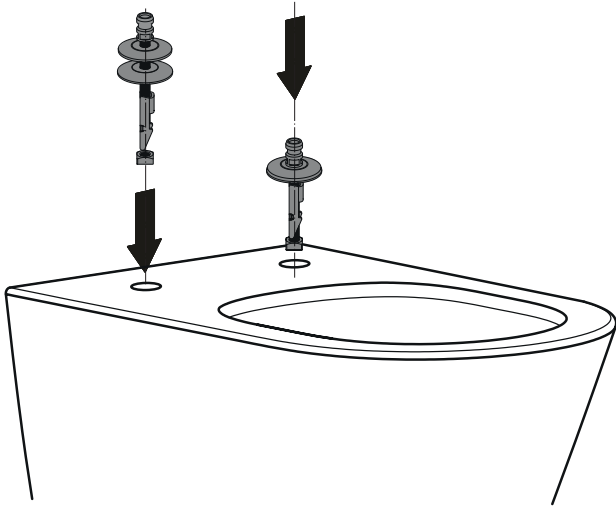




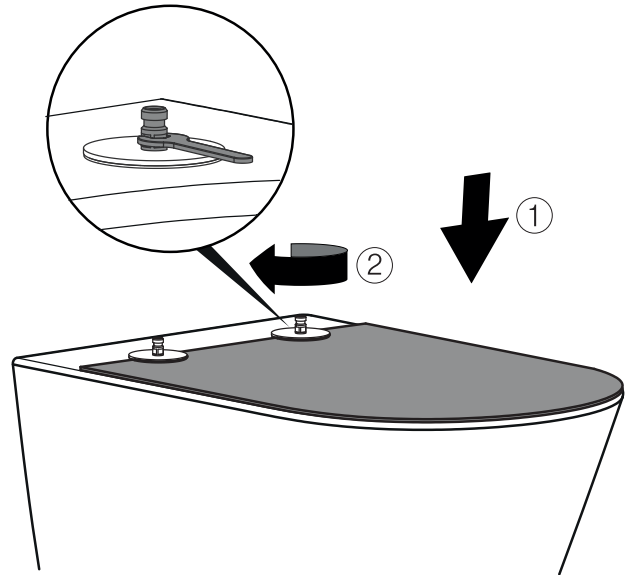
TOILET SEAT

AXENT
SWITZERLAND

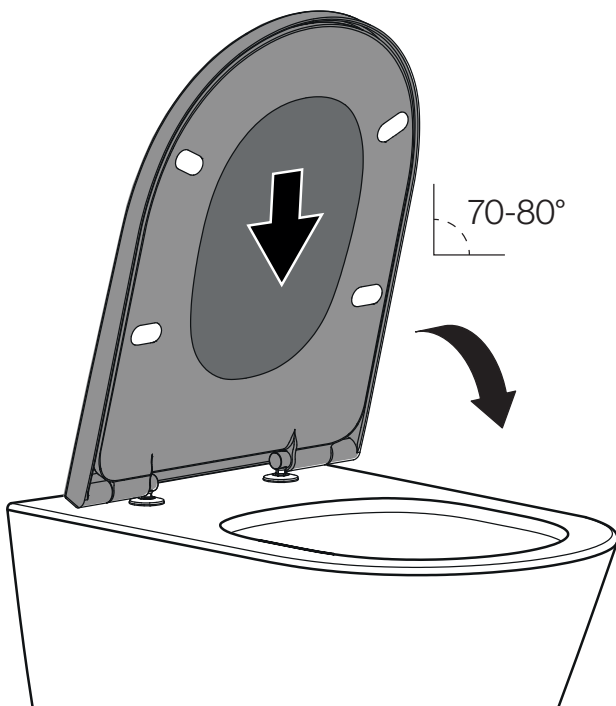
1



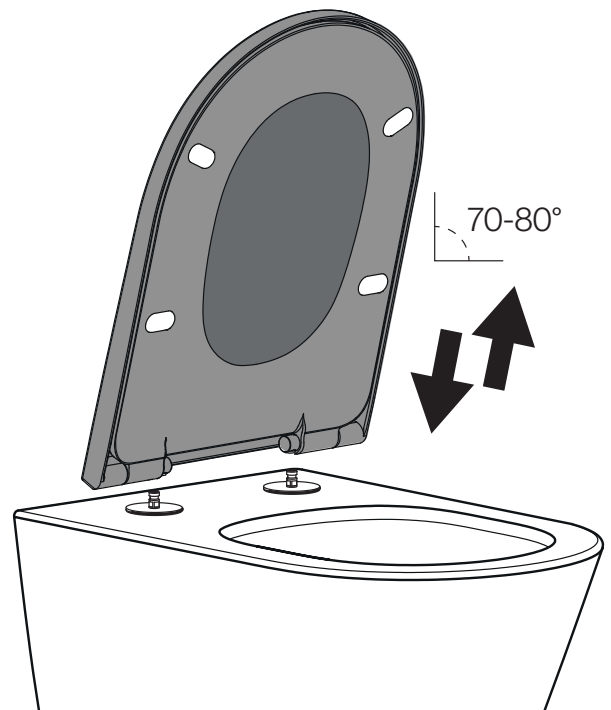
2



3



4



Z001204.00.04 / 06-23