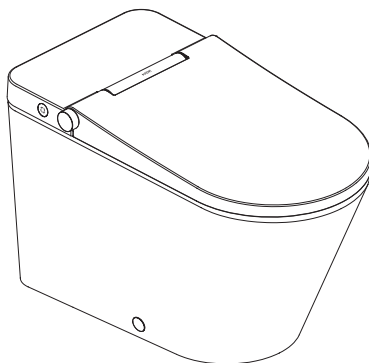


AXENT
SWITZERLAND



AXENT.ONE C

USER MANUAL

USER MANUAL

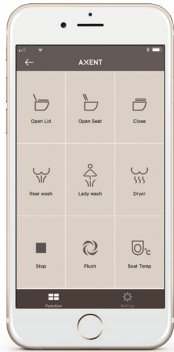
AXENT.ONE C^{PLUS} AND AXENT.ONE C^{PREMIUM}

App	2
Safety	3
Introduction	4
Multifunction dial	6
Remote control	16
Maintenance	26
Malfunctions during operation	28
Guarantee / Environment	31
Technical data	32

PLEASE KEEP THIS USER MANUAL SAFE

APP

CONNECT YOUR AXENT SHOWER TOILET WITH OUR APP



The AXENT.ONE C shower toilet can be controlled via Bluetooth using the app for iOS and Android.

As with the remote control, you can use it to individually adjust the water temperature, flow rate and spray arm position.

Download the app «AXENT Remote» free of charge from the App Store or Google Play.

Please register your product via app.



SAFETY

APPROPRIATE USE

The AXENT shower toilet is designed for anal and genital cleansing. Not included are other purposes deemed improper.

AXENT does not accept liability for the consequences of improper use or installation.

OPERATION

The AXENT shower toilet can be used by children aged from 8 years and above and persons with reduced physical, sensory or mental capabilities or lack of experience and knowledge if they have been given supervision or instruction concerning use of the AXENT shower toilet in a safe way and understand the hazards involved. Children shall not play with the appliance. Cleaning

and user maintenance shall not be made by children without supervision. Each person perceives temperatures individually; therefore check the water, air dryer and seat temperature before use.



SAFETY INSTRUCTION

Do not take a damaged device or main connection cables into operation. Connect the device only to an earthed electrical voltage as specified on the type label. For further information please refer to the technical data sheet.

The original hose-sets supplied with the appliance shall be used. The old hose-sets should not be re-used.

The normal shower toilet should be checked on regular bases. Should there be a suspicion of defect on the device detach the shower toilet immediately of the power grid and contact the customer service of AXENT.

Do not open and repair the unit yourself or install it. Never modify the device or add any additional modules.

The AXENT shower toilet carries live parts and opening it exposes those present to fatal danger!

Repairs done by not skilled or authorised persons can lead to malfunction, damage and dangerous accidents. Therefore repairs may only be carried out by authorised and

trained persons using original spare parts and accessories. Only standard accessories, original spare parts and the delivery included main connection cable may be used.

Do not make any modification on the main connection cable. Should it be damaged, it must be replaced by AXENT customer service.

In case of malfunction during operating consult the basic information at the point Troubleshooting. If required contact customer service.

Operation and maintenance work may only be performed by the operator or user as described in these operating instructions. For the use of AXENT shower toilet only drinking water may be used no rain nor grey water.



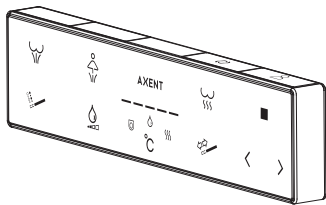
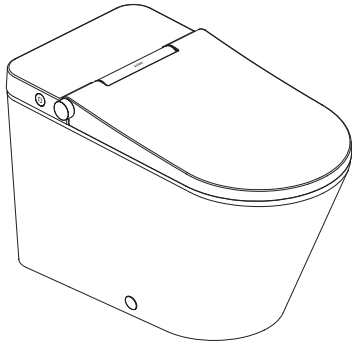
For care and cleaning of the device only use the care and cleaning products recommended by AXENT. Should other not recommended cleaning products be used AXENT will assume no liability.

This user manual corresponds to the state of the device technology at the time of printing. AXENT reserves the right to make changes in terms of further development. This documentation is also subject to change. A current version of this document and additional documents can be downloaded via www.axent-bclean.com.

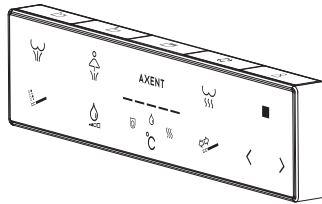
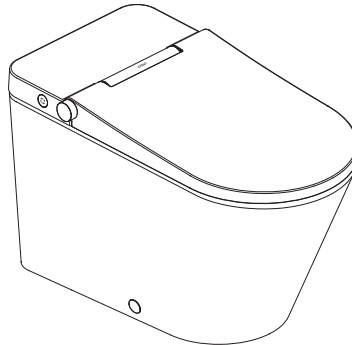
INTRODUCTION

OVERVIEW

AXENT.ONE C^{Plus}



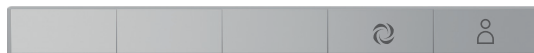
AXENT.ONE C^{Premium}



REMOTE CONTROL

Top view

For AXENT.ONE C^{Plus}



For AXENT.ONE C^{Premium}



Front view

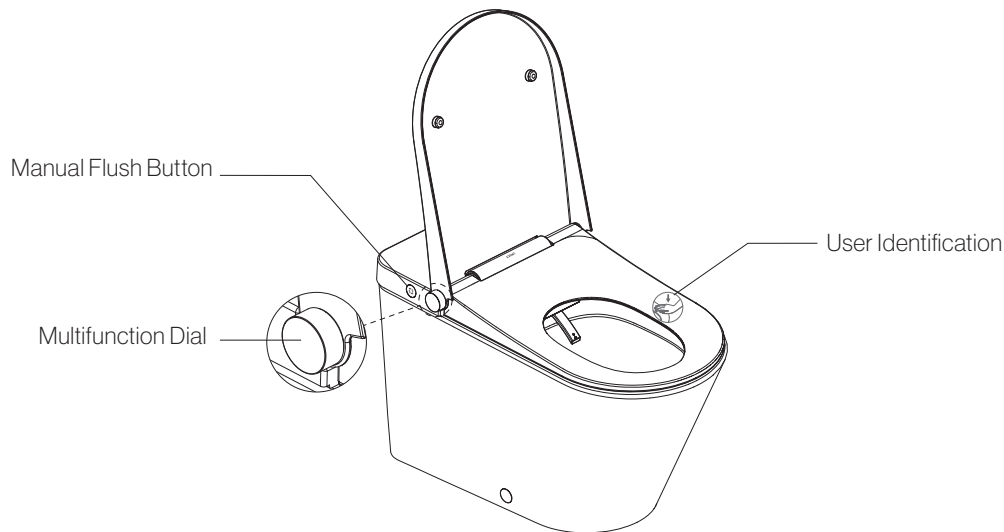


Back view



INTRODUCTION

MAIN



USER IDENTIFICATION

A «User Identification» is integrated into the toilet seat. Therefore, the bidet function of the shower toilet is only functionally activated when you seat down on the toilet seat.

MULTIFUNCTION DIAL

All functions of the shower toilet can be operated by the «Multifunction Dial».

MANUAL FLUSH

Press the «Manual Flush Button» located behind the multifunction dial to flush the toilet.

TOILET SEAT AND LID

For AXENT.ONE C^{Plus}

Dampers cushion the toilet seat and lid noiselessly and slow down closing. The seat and lid open just like any normal toilet seat and lid.

For AXENT.ONE C^{Premium}

You use the remote control to open the toilet seat and lid. If the Auto Open Function is activated, the seat and lid will open automatically.

MULTI-FUNCTION DIAL

QUICK START

AXENT.ONE C offers a Quick Start function. Sit down on the toilet seat and push the dial. Rear Wash starts and will stop after another push on the dial.

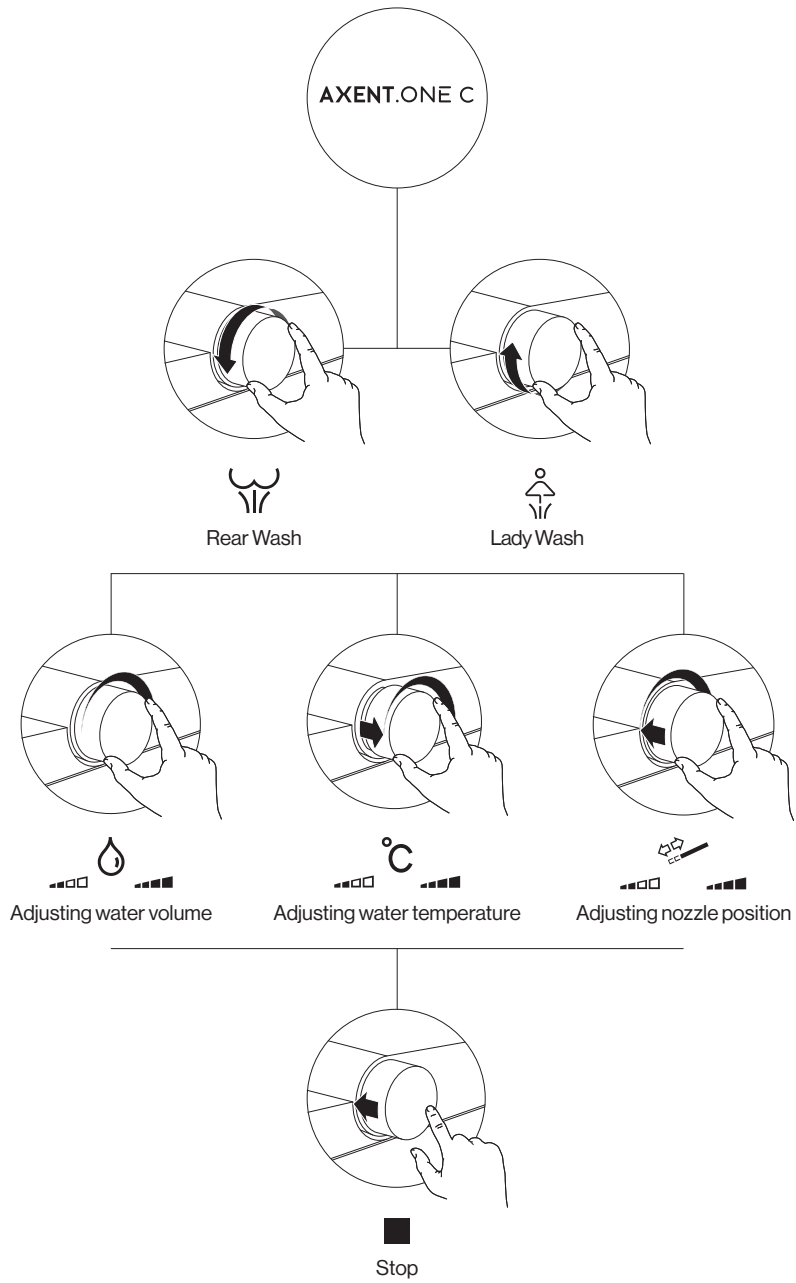


The spray nozzle is automatically cleaned with water before and after each shower procedure.



MULTI-FUNCTION DIAL

REGULAR USE



MULTI-FUNCTION DIAL

ADDITIONAL FEATURES

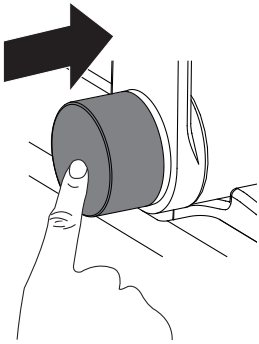
Additional settings and service functions may also be accessed with the multifunction dial. Access is done at two levels.

LEVEL 1

- Mute ON / OFF
- Seat heating ON / OFF / AUTO
- Self-cleaning function ON / OFF
- System purge

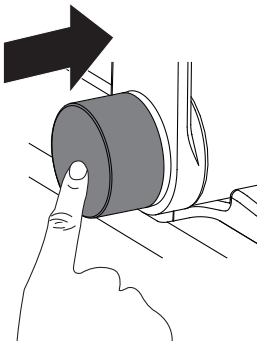
LEVEL 2

- Night light ON / OFF / AUTO
- Deodorizer ON / OFF
- Auto dry
- Spray arm cleaning
- System reset



ACTIVATING LEVEL 1

To activate LEVEL 1, press and hold the multifunction dial until the ambient light flashes slowly. The ambient light will continue to flash slowly while in LEVEL 1.



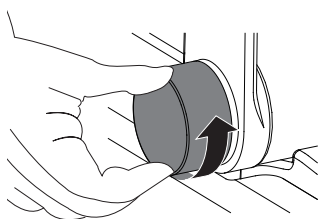
DEACTIVING LEVEL 1

When the multifunction dial is already in LEVEL 1, push the dial. The ambient light will stop flashing and you will hear one single «beep». The mode level 1 is deactivated.



If no operations are done within 3 minutes, the mode level 1 will be deactivated automatically.

MULTI-FUNCTION DIAL



LEVEL 1 MUTE ON / OFF

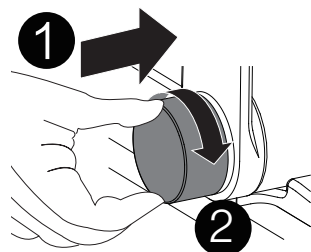
Factory setting: Mute is OFF

When the multifunction dial is already in LEVEL 1, the ambient light flashes slowly.

- Turn the multifunction dial counter clockwise.

No «beep»: Mute is ON

Short «beep»: Mute is OFF



LEVEL 1 SEAT HEATING ON / OFF / AUTO

Factory setting: Seat heating is ON

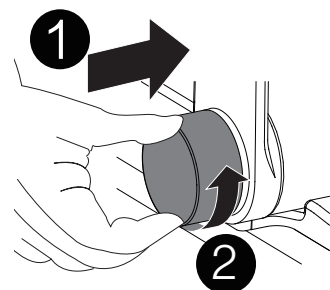
When the multifunction dial is already in LEVEL 1, the ambient light flashes slowly.

- Press and hold the multifunction dial.
- Turn it clockwise.

Short «beep»: Seat heating is AUTO

Long «beep»: Seat heating is ON

Long «beep»: Seat heating is OFF



LEVEL 1 SELF-CLEANING FUNCTION ON / OFF

As soon as you sit down on the toilet seat, the spray arm will be cleaned with fresh water. This function can be turned ON or OFF.

Factory setting: Self-cleaning function is ON

When the multifunction dial is already in LEVEL 1, the ambient light flashes slowly.

- Press and hold the multifunction dial.
- Turn it counter clockwise.

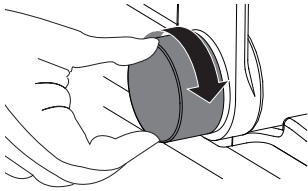
Short «beep»: Self-cleaning function is ON

Long «beep»: Self-cleaning function is OFF

MULTI-FUNCTION DIAL

LEVEL 1 SYSTEM PURGE

If the toilet has not been used for a long period of time, old water may be purged from the system and replaced with fresh water.



When the multifunction dial is already in LEVEL 1, the ambient light flashes slowly.

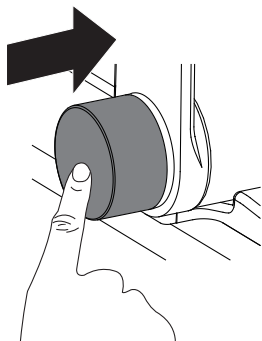
- Turn multifunction dial clockwise.
- You will hear one short «beep». The system purge has started.
- When the system purge is in progress, turn multifunction dial clockwise again, the system purge process stops in the same time you'll hear one long «beep» .

The system purge process stops after 90s automatically.



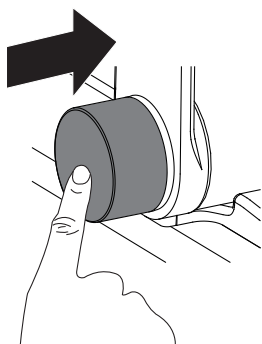
Turn multifunction dial clockwise again to stop the system purge procedure immediately.

MULTI-FUNCTION DIAL



ACTIVATE FUNCTIONS AT LEVEL 2

When the multifunction dial is already in LEVEL 1, press and hold the dial again until the ambient lightflashes quickly. The mode level 2 is activated, and the ambient light keeps on flashing quickly.



DEACTIVATE FUNCTIONS AT LEVEL 2

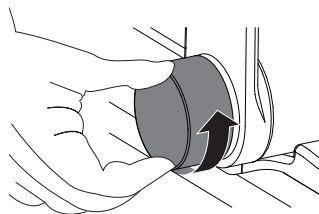
When the multifunction dial is already in LEVEL 2, push the dial.
The ambient light will stop flashing and you will hear one single «beep».
The mode level 2 is deactivated.



If no operations are done within 3 minutes, the mode level 2 will be deactivated automatically.

LEVEL 2 NIGHT LIGHT

ON / OFF / AUTO



Factory setting:

AUTO mode – Night light turn ON or OFF automatically according to the ambience.

When the multifunction dial is already in LEVEL 2, the ambient light flashes quickly.

– Turn multifunction dial counter clockwise.

Short «beep»:

Night light function is AUTO

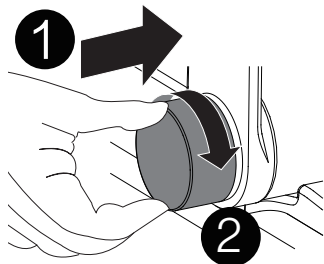
Long «beep»:

Night light function is ON

Long «beep»:

Night light function is OFF

MULTI-FUNCTION DIAL



LEVEL 2 AUTO DEODORIZER

ON / OFF

Factory setting: Auto Deodorizer is ON

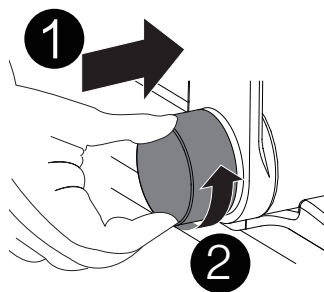
As soon as you sit down on the toilet seat, the deodorizer will start automatically. This function can be turned ON or OFF.

When the multifunction dial is already in LEVEL 2, the ambient light flashes quickly.

- Press and hold the multifunction dial.
- Turn it clockwise.

Short «beep»: Auto Deodorizer is ON

Long «beep»: Auto Deodorizer is OFF



LEVEL 2 AUTO DRY

ON / OFF

Factory setting: Auto dry is OFF

The dryer will be started automatically when you press the multifunction dial during the rear wash or lady wash. This function can be turned ON or OFF.

When the multifunction dial is already in LEVEL 2, the ambient light flashes quickly.

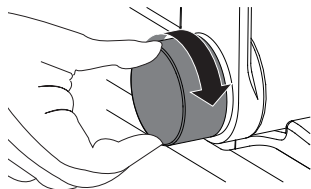
- Press and hold the multifunction dial.
- Turn it counter clockwise.

Short «beep»: Auto dry is ON

Long «beep»: Auto dry is OFF

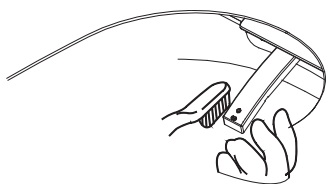
MULTI-FUNCTION DIAL

LEVEL 2 SPRAY ARM CLEANING



When the multifunction dial is already in LEVEL 2, the ambient light flashes quickly.

- Turn the multifunction dial clockwise.



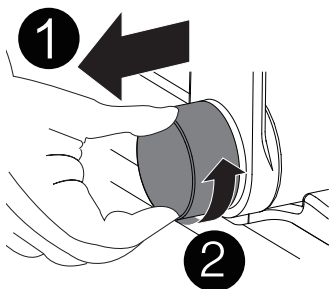
The spray arm will move out.

- Clean the spray arm with fabric or a soft bristled brush.
- Turn the multifunction dial clockwise again to retract the spray arm.



If no operations are done within 3 minutes, the spray arm will move back automatically.

LEVEL 2 SYSTEM RESET



When the multifunction dial is already in LEVEL 2, the ambient light flashes quickly.

- Pull the multifunction dial.
- Turn it counter clockwise.

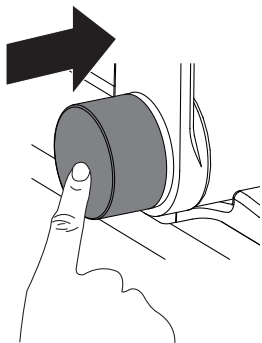
Short «beep»:

All values are reset to factory settings

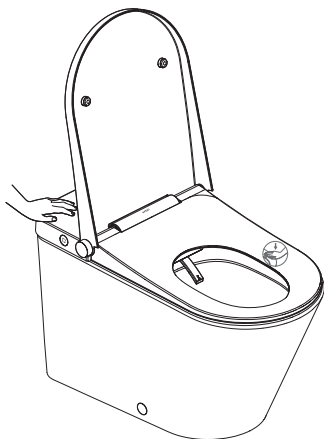
MULTI-FUNCTION DIAL

STAND-BY MODE

Press and hold the multifunction dial until ambient light off to activate the Stand-by mode.
In Stand-by mode, there is no activity for some time.



Slap the toilet back cover to deactivate Stand-by mode.



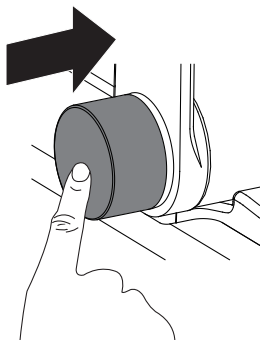
SYNCHRONIZING TO DIAL

Cut off the power of the shower toilet until ambient light off and then apply power to it.

After three times short «beep»,

start pairing by pressing multifunction dial 5 times within 20 seconds.

– Three times long «beep» from the shower toilet confirms successful synchronization.



Pairing has originally been done in the factory. It is necessary only after you replaced your dial.

REMOTE CONTROL

FOR AXENT.ONE C PLUS



FOR AXENT.ONE C PREMIUM



REMOTE CONTROL ON/OFF/CHARGING



Setting

The remote control is powered off initially. Press «Setting» for 2 sec. to turn on the remote control.



User

Press «Setting» at the same time «User» for 2 sec. to turn off the remote control.

When the power is less than 15%, the AXENT Logo blinks on and off, which means the battery needs to be charged.

Please connect the standard charge cable to the Charge port on the remote control.

The Indicator lights indicates the battery power and all 5 lights are on when remote control is fully charged.



Don't charge remote control in moist condition.

The rechargeable Li-ion battery is built into the remote control and can't be disassembled by users.

Please contact the local dealer or call the service hot line if there is any problem.

STAND-BY MODE REMOTE CONTROL

The remote control enters into the standby mode automatically and all indicator lights turn off when there is no activity for some time.

Press any icon to exit the stand-by mode.

REMOTE CONTROL

TOP OF REMOTE CONTROL

For AXENT.ONE C^{Plus}



For AXENT.ONE C^{Premium}



PAIRING

Cut off the power of the shower toilet until ambient light off and then apply power to it.



Stop

- After three times «beep», start pairing by pressing «Stop» 5 times within 20 seconds.
- Three times «beep» from the shower toilet confirms successful pairing.



Pairing has originally been done in the factory. It is necessary only after you replaced your remote control.

OPENING AND CLOSING THE SEAT AND LID

ONLY FOR AXENT. ONE C PREMIUM



Open Lid

- Press «Open Lid» when the unit is not in use to open the lid.
- When Auto Open is enabled and set to Lid, the lid will automatically open when someone approaches.



Open Seat

- Press «Open Seat» when the unit is not in use to open the seat and lid.
- When Auto open is enabled and set to Seat, the lid and seat will automatically open when someone approaches.



Close

- Press «Close» when the unit is not in use to close the lid and seat.
- Lid and seat will be closed automatically 2 minutes after leaving.



The seat will only open automatically after being closed for more than 10 seconds. Please find more information about «Auto Open Setting» on page 23. Please do not put things on the lid or seat.

TOILET FLUSH



Flush

Press «Flush» to start toilet flush.



The device has an automatic toilet flush. please find more information about «Auto Flush Setting» on page 22.

REMOTE CONTROL

FRONT OF REMOTE CONTROL



REAR WASH



Rear Wash

Press «Rear Wash» after you are seated to start.



Stop

Press «Stop», to stop the Rear Wash early.

If not halted manually the Rear Wash will stop automatically after 3 minutes.

LADY WASH



Lady Wash

Press «Lady Wash» to start after you are seated.



Stop

Press «Stop», to stop the Lady Wash early.

If not halted manually the Lady Wash will stop automatically after 3 minutes.

OSCILLATING AND PULSATING SHOWER



Massage

During Rear or Lady Wash,

- Press «Massage» once to start Oscillating.
- Press «Massage» twice to start Pulsating.
- Press «Massage» three times to start Oscillating and Pulsating.

REMOTE CONTROL

FRONT OF REMOTE CONTROL



WATER VOLUME



Press «Water Volume» during Rear or Lady Wash to adjust the water volume.

The Level Indicator indicates the selected level.



Press «Low» to reduce the water volume.



Press «High» to increase the water volume.

SPRAY ARM POSITION



Press «Position» during Rear or Lady Wash to adjust the position of the spray arm.

The Level Indicator indicates the selected level.



Press «Low» to move the Spray Arm backward.



Press «High» to move the Spray Arm forward.

REMOTE CONTROL

AIR DRYER



Dryer

Press «Dryer» after you seat to activate the dryer.



Stop

Press «Stop», to stop the Dryer early.

If not halted manually the Dryer will stop automatically after 3 minutes.

TEMPERATURE ADJUSTMENT



Temp

Press «Temp» repeatedly until the symbol Seat Temp lights up to activate seat temperature adjustment;

Or press «Temp» repeatedly during Rear and Lady Wash until the symbol Water Temp lights up to activate water temperature adjustment;



Seat Temp

Or press «Temp» repeatedly during Dry until the symbol Air Temp lights up to activate air temperature adjustment.



Water Temp

The Level Indicator indicates the selected level.



Air Temp



Low

Press «Low» to reduce the temperature.



High

Press «High» to increase the temperature.

REMOTE CONTROL

TOP AND BACK VIEW



NIGHT LIGHT SETTING

Factory setting: AUTO mode – Night light turn ON or OFF automatically according to the ambience.



Night Light

Press «Night Light» to enter into the setting.

Press «Night Light» to switch amount ON, OFF and AUTO.

The indicator indicates the selected option:

- AUTO The indicator blinks 3 times and turns on.
- ON The indicator on.
- OFF The indicator blinks for one second and turns off.

MUTE SETTING

Factory setting: Mute setting is OFF.



Mute

Press «Mute» to set the mute mode ON or OFF.

The indicator indicates the selected option:

- ON The indicator on.
- OFF The indicator blinks for one second and turns off.

ECO SETTING

Factory setting: Eco setting is OFF.



ECO

Press «Eco» to turn on or off the function.

When the ECO function is turned on, the seat will be intelligently heated according to the user's usage habits.

The indicator indicates the selected option:

- ON The indicator on.
- OFF The indicator blinks for one second and turns off.

REMOTE CONTROL

SYSTEM PURGE



After a long time of not using the shower toilet, all water bearing parts can be exchanged with fresh water. Press «System Purge» to turn on function.

The system purge process stops after 90s automatically.

SPRAY ARM CLEANING



Press «Descal» to extend the spray arm for cleaning.

The spray arm will move out.

- Clean the spray arm with a fabric or a soft bristle brush.
- Press «Descal» again to retract the spray arm..



If no operations are done within 3 minutes, the spray arm will move back automatically.

USER PROFILE



Up to 5 user profiles can be stored. Press «User» profile repeatedly to select your profile. The Indicator lights show the selected profile.



You are sitting on the shower toilet. Press «Rear wash» or «Lady wash» to start the shower process.



You can set water temperature, flow rate and spray arm position during the shower procedure according to your personal needs. Press «Stop» to end the shower process. The personal settings listed above are automatically stored in your profile. For the next use, first select your profile and then start the shower procedure.



Only the water temperature, flow rate and spray arm position can be programmed for the rear wash and lady wash.

AUTO DEODORIZER

As soon as you sit down on the toilet seat, the deodorizer will start automatically. This function can be turned ON or OFF.

Factory setting: AUTO Deodorizer is ON.



Press and hold «Setting», press «Mute» to turn on or off the auto deodorizer function.



The indicator indicates the selected option:

- ON The indicator on.
- OFF The indicator blinks for one second and turns off.

REMOTE CONTROL

TOP AND BACK VIEW



AUTO FLUSH SETTING

Factory setting: Auto Flush function is 15 seconds.



Setting

Press «Setting» at the same time «Flush» to activate Auto Flush Setting.



Flush

Press «Flush» repeatedly to toggle between OFF, 5 seconds, 10 seconds, 15 seconds, 20 seconds and 25 seconds.

The Level Indicator indicates the selected level:

- | | |
|--------------|----------------------|
| – OFF | All indicators off. |
| – 5 seconds | One indicator on. |
| – 10 seconds | Two indicators on. |
| – 15 seconds | Three indicators on. |
| – 20 seconds | Four indicators on. |
| – 25 seconds | Five indicators on. |

SELF CLEANING SETTING

Factory setting: Self Cleaning function is ON.



Setting

Press «Setting» at the same time «Eco» to turn on or off the function.



Eco

The indicator indicates the selected option:

- | | |
|-------|--|
| – ON | The indicator on. |
| – OFF | The indicator blinks for one second and turns off. |

REMOTE CONTROL

AUTO OPEN SETTING

ONLY FOR AXENT. ONE C PREMIUM

Factory setting: Auto Open setting is Lid.



Press «Setting» at the same time «Open Lid» to activate Auto Open Setting.



Press «Open Lid» repeatedly to switch among OFF, Lid and Seat.

The Level Indicator indicates the selected level:

- OFF One indicator on.
- Lid Three indicators on.
- Seat Five indicators on.

SENSE AREA SETTING

ONLY FOR AXENT. ONE C PREMIUM



Press «Setting» at the same time «Open Seat» for 2 seconds to make the Seat Temp, Water Temp and Air Temp lights up, and activate Sense Area Setting.



The Level Indicator indicates the selected level. Every indicator of the Level Indicator counts 4 levels.



Press «Low» to reduce the levels of Sense Area.



Press «High» to increase the levels of Sense Area.

Entering Stand-by Mode will exit the Sense Area Setting.

AUTO CLOSE SETTING

ONLY FOR AXENT. ONE C PREMIUM

Factory setting: Auto Close function is ON.



Press «Setting» at the same time «Close» to activate Auto Close.



Press «Close» repeatedly to enable or disable Auto.

The Level Indicator indicates the selected level:

- OFF One indicator on.
- ON Five indicators on.

REMOTE CONTROL

BACK VIEW



SYSTEM RESET



Setting

Switch off the remote control by pressing «Setting» and «User» simultaneously.



ECO

Press and hold «Eco» the Energy-saving mode and press «Setting».

Then remote control will be turned on to restore factory settings with a short «beep».

MAINTENANCE

This product has been designed and manufactured with great care and attention to detail. If you follow a few simple cleaning instructions you will be able to enjoy its comfort, quality and beauty every day.



CLEANING INSTRUCTIONS SEAT, LID AND BACK COVER

To continue enjoying your toilet seat and lid for as long as possible, please follow these care tips.

Clean them regularly and promptly to prevent stubborn mineral stains.

The toilet seat and lid can be removed, cleaned and refitted quickly and easily.



The seat of the AXENT.ONE C has an electrical data connection and cannot be completely pulled out.

Clean surfaces thoroughly with a soft cloth (cotton, not microfibre).

- Use clear, warm water, and a bit of gentle detergent to remove heavier soiling.
- Do not use spray cleaners or microfibre cloths.
- Leave the toilet seat and lid open while the detergent acts on ceramic surfaces.
- Do not use detergents that foam or contain chlorine.
- Wipe the hinges dry.

CLEANING INSTRUCTIONS CERAMIC

Under no circumstances should you use harsh or abrasive cleaning substances such as abrasive cream cleansers, scouring powder or drain cleaner on your ceramic surfaces. Also avoid using steam cleaners and hard, abrasive sponges. Please bear in mind that hair colouring products can reduce the effectiveness of AXENT Easy Clean.

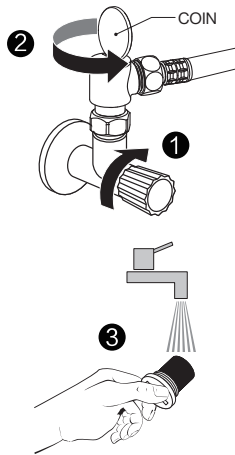
If you follow this guidance then you should remain satisfied with the performance of AXENT Easy Clean for many years. Recommended cleaners for sanitary ceramic surfaces with AXENT Easy Clean finish. The use of acidic cleaners with a pH value between 1 and 4 is highly recommended. Cleaners with a pH value in the neutral range (5 to 8) are not always suitable. We strongly advise against using either weak or strong alkaline cleaners, i.e. substances with pH values from 9 to 12.

CLEANING RECOMMENDATION

Cleaning interval	Cleaning extent
Daily	– Wipe water drops dry with a soft, lint-free cloth
Weekly	– Thoroughly wipe all surfaces and corners with a damp, lint-free cloth and a mild, liquid cleaning agent – Check the spray nozzle for signs of scaling – To clean the toilet ceramic appliance, apply a mild, liquid bathroom cleaner (pH value 1–4) for 30 min. Then clean with a toilet brush and rinse with water.

MAINTENANCE

FILTER CLEANING



The filter screen will need to be cleaned occasionally. If the unit does not fill up properly, starts to lose pressure, or does not function normally, please clean the filter first.



DO NOT use the product without the filter.

When the water flow is less than normal, please clean the filter.

Note that during the entire filter cleaning process:

- The angle valve is shut off.
- The product is disconnected from the water line.

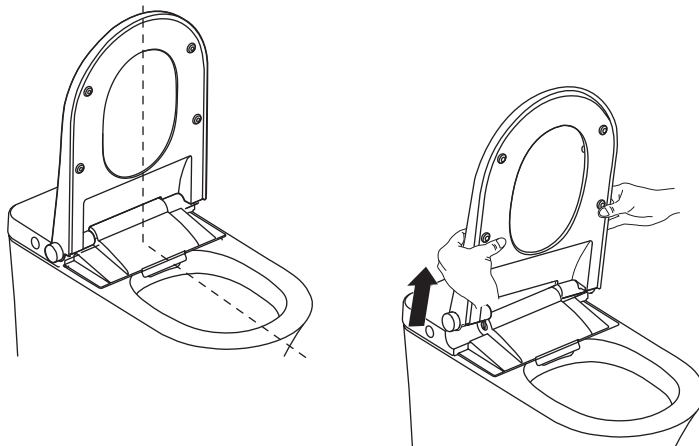
The filter may be reinserted in reverse.

MAINTENANCE

The toilet seat and lid can be removed, cleaned and refitted quickly and easily.

REMOVING THE TOILET SEAT AND LID

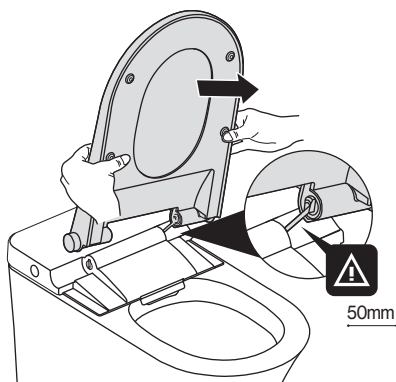
1. Open the seat and lid.
2. Hold both side of the toilet seat and toilet lid with your hands, and lift slowly the left side up first, so that the shrapnel on the left side is removed first.



The seat of the AXENT.ONE C has an electrical data connection and cannot be completely pulled out.

Please move the seat and lid slowly to avoid damage caused by excessive force.

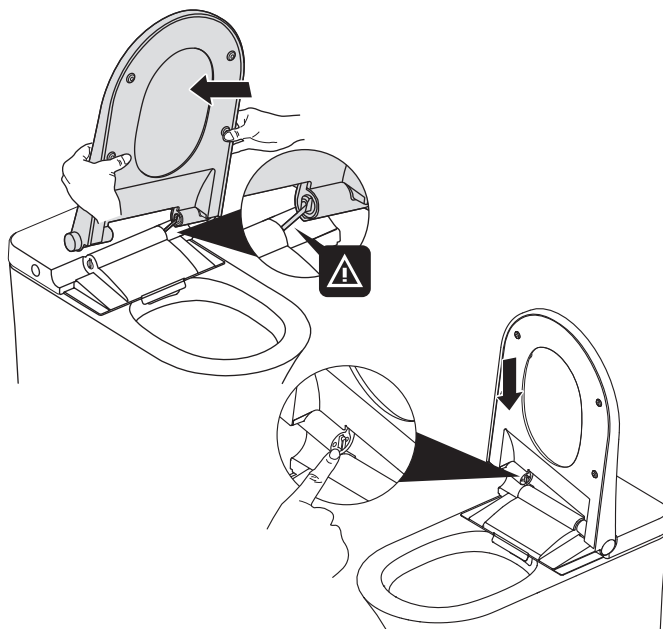
3. After removing the shrapnel on the left side, move the toilet seat and toilet lid to the right side slowly until they are completely off the cover (The movable distance is about 50mm). At this moment, the seat and cover are connected by a connecting wire.



4. Clean the toilet seat and toilet lid (according to recommendation page 25).

FITTING THE TOILET SEAT AND LID

5. Move the toilet seat and toilet lid slowly towards the cover, and the connecting wire between seat and cover will automatically and slowly retract into the seat.
6. Connect the right side of the rotor to the cover first. Then push the clip in the other side. Let the toilet seat and lid glide down.



MALFUNCTIONS DURING OPERATION



ELECTRICAL SHOCK ! FATAL DANGER !

Never open the unit in order to repair it yourself. Never modify the device or add any additional modules. The AXENT shower toilet carries live parts and opening it exposes those present to fatal danger ! Warranty and liability claims as a result of wrong handling are specifically excluded.

FREQUENTLY ASKED QUESTIONS

IN CASE OF MINOR MALFUNCTIONS, PLEASE REFER TO THE FOLLOWING TABLE. IF THE BELOW SOLUTIONS DO NOT RESOLVE THE ISSUE, PLEASE CONTACT CUSTOMER SUPPORT FOR FURTHER EXAMINATION AND REPAIR.

Malfunction	Cause	Remedy
No function	Product in Stand-by mode	Slap the toilet back cover to deactivate Stand-by mode.
Remote control does not work	The battery is running out of power	Recharge battery.
Level Indicator blinks on and off	The battery is running out of power	Recharge battery.
Remote control does not sensitive	Beyond the inductive distance	Please use the remote control within the inductive distance.
Spray arm move out too slowly	Self-cleaning	Please wait for a moment.
Low water volume	Water volume set too low	Increase water volume.
Low water temperature	Water temperature set too low	Increase water temperature.
Water stop suddenly	Leaving the seat during washing	Seated and restart the washing.
Spray arm extending without water spraying out	Seat fails to sense seated	Seat fails to sense seated, move or resealed to cover the sensing area and restart the function.

MALFUNCTIONS DURING OPERATION

Malfunction	Cause	Fault clearance
Dry does not working	Seat fails to sense seated	Move or resealed to cover the sensing area and restart the function
Low air temperature	Air temperature set too low	Increase air temperature.
Massage does not work	Started not during washing	Restart massage during washing.
Low seat temperature	Seat temperature set too low	Increase seat temperature.
High seat temperature	Seat temperature set too high	Reduce seat temperature.
Low seat temperature when seated and go normal then	Eco mode on	Turn off Eco mode.
Auto open does not work	Auto open off	Set auto open as Lid or Seat.
	Lid not closed	Close lid.
	Less than 10 seconds after last Auto Close	Wait for 10 seconds after last Auto Close.
Seat not opened by Auto Open	Auto open is off or set as Lid	Set Auto Open as Seat
	Lid not closed	Close lid.
	Less than 10 seconds after last Auto Close	Wait for 10 seconds after last Auto Close.
Auto close does not work	The user still moving within inductive distance	Leave the inductive distance or be static for 2 minutes
Deodorize still works after leaving seat	Deodorize continues for 60 seconds after leaving seat for better effect	Normal

MALFUNCTIONS DURING OPERATION

Malfunction	Cause	Fault clearance
Deodorize does not work	Deodorize off	Turn on Deodorize.
	Seat fails to sense seated	Move or reseat to cover the sensing area and Deodorize will start automatically.
	During washing	Wait for washing to finish and Deodorize will start automatically.
Night light does not work	Night light in OFF mode	Switch night light setting to ON or AUTO mode.
Night light always on	Night light in ON mode	Switch night light setting to AUTO or OFF mode.
Spray arm moving back automatically during Descale working	No operations are done within 3 minutes after it moves out	Please restart the spray arm cleaning
Water in spraying out when turning on Descale	Sensing area covered by conducting medium	Please remove the conducting medium.
Continuous «beep»	Water temperature exceeds set value	Disconnect the main plug and contact customer service.
Leakage protector trips frequently	Current leakage exceeds the normal value	Disconnect the main plug and contact customer service.

GUARANTEE / ENVIRONMENT

GUARANTEE

Guarantee for production and material is 2 years from the installation of the product.

Claims can only be made under this guarantee if

- The installation and set-up has been done by an authorised installation company.
- The device has been used and maintained as advised in the user manual.
- There has been no external damage to the device during set up, installation, maintenance and cleaning.
- There have been no modifications on the AXENT shower toilet.
- Guarantee only takes place in countries AXENT has its place of business or has a legal subcontractor of AXENT.

Should a product or material fault occur within the guarantee period, AXENT will arrange following:

AXENT will arrange for necessary maintenance work to be carried out by an appointed customer service to replace faulty parts free of charge. Within this guarantee a cancellation of sale cannot be claimed by the end customer.

Once the guarantee has expired, AXENT will not honour any claims by the end customer that are based on this guarantee. This includes claims also relating to parts of the product that have been changed or repaired during the guarantee period. This guarantee is exclusively subject to the Swiss law. Expressly excluded are the United Nations Convention on Contracts for the International Sales of Goods. Any dispute arising from this guarantee, fall within the jurisdiction of the court at the place of business of AXENT.

SUBSTANCE OF CONTENT

The AXENT shower toilet meets the requirements of the EU directive «Restriction of Hazardous Substances» (2011 / 65 / EU, RoHS). It is largely free of hazardous substances such as lead, cadmium, mercury or chrome VI.

The European chemical regulation REACH (1907/2006/EG), which regulates the registration, assessment, approval and restriction of certain chemical substances, is also complied with.

PROPER HANDLING WASTE MANAGEMENT

In accordance with Directive 2012/19/EU (WEEE-II), manufacturers of electrical equipment are obliged to take back old equipment and to dispose of it appropriately.

Electronic devices often contain still usable materials. At the same time but also many harmful substances that ensure the operation and safety of the equipment. Mishandling or improper disposal of these substances are harmful to humans and the environment.

Please contact your local recycling facility to return waste electrical equipment and ensure its recovery. There is also the possibility to contact AXENT for proper disposal which is free of charge. In the meantime store the device in a child safe area. With the marking of plastic parts according to international standards for separation, the plastic is disposed appropriately. As for this, your old device will be recycled environmentally conscious.



This symbol on the nameplate of your device refers to the prohibition of disposal with the usual household waste.

Please note! Batteries are not allowed to be disposed in household waste.

DECLARATION OF CONFORMITY

You can obtain a copy of the declaration of conformity from your responsible AXENT sales company.

TECHNICAL DATA

	AXENT.ONE C ^{PLUS}	AXENT.ONE C ^{PREMIUM}
Article No	E80.0810.0031.3	E80.0820.0031.3
Nominal voltage	220V-240V~, 50/60Hz	220V-240V~, 50/60Hz
Power consumption (max.)	1860 W	1860 W
Nominal power consumption *	1050 W *	1050 W *
Power consumption Eco modus	0.5 W	0.5 W
Protection degree	IPX4	IPX4
Protection class	I	I
Flow pressure range	0.14 – 0.75 MPa	0.14 – 0.75 MPa
Adaptable temperature range	4 – 40 °C	4 – 40 °C
Adaptable water temperature range	4 – 35 °C	4 – 35 °C
Load seat and lid (max.)	150 kg	150 kg
Min. flow rate Rear-shower	350 ml/min	350 ml/min 5 levels
Min. flow rate Lady-shower	350 ml/min	350 ml/min 5 levels
Max. shower time per use	3 min	3 min
Spray arm position	5 levels	5 levels
Water temperature	31 to 39 °C /OFF	31 to 39 °C /OFF / 5 levels
Dryer temperature		30 to 50 °C /OFF / 5 levels
Seat temperature		29 to 37 °C /OFF / 5 levels

Subject to change

* Under the condition of flow rate 0.58 l/min and cold water temperature 15+/-5°C



Depending on the actual conditions, the measured values of the water, air dryer and seat temperature may differ slightly from the specified temperatures.

LEGAL DIRECTIONS

This manual contains important information on the intended use, correct operation and proper maintenance of the equipment. Knowledge of and compliance with the instructions of this manual are provided for both the safe use of the equipment and for the safety of its operation and maintenance. In this manual, not all kinds of applications and improper manipulations are considered. In addition, attention is drawn to the following: The content of these instructions is neither part of any previous or existing agreement, commitment or legal relationship, nor does it change from an existing agreement, commitment or legal relationship. Any commitment by AXENT results from the respective warranty. These include the complete and authoritative warranty obligation AXENT. The statements in this manual do not constitute an extension or a restriction of the claims under the warranty provisions. This manual is protected by copyright. Copies and / or translations into other languages may be made only with prior written approval of AXENT.

AXENT International AG

info@axentbath.ch

www.axentbath.ch