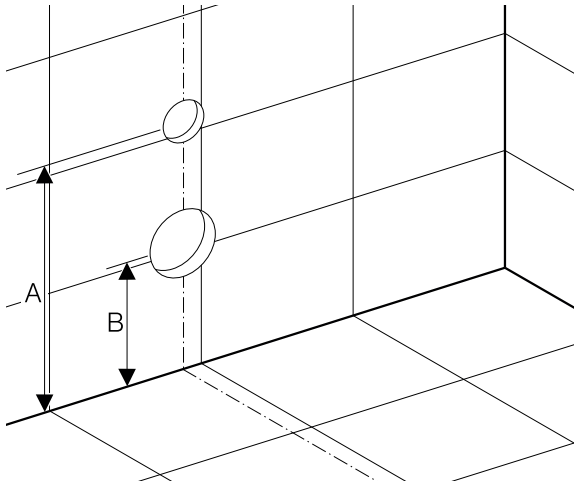




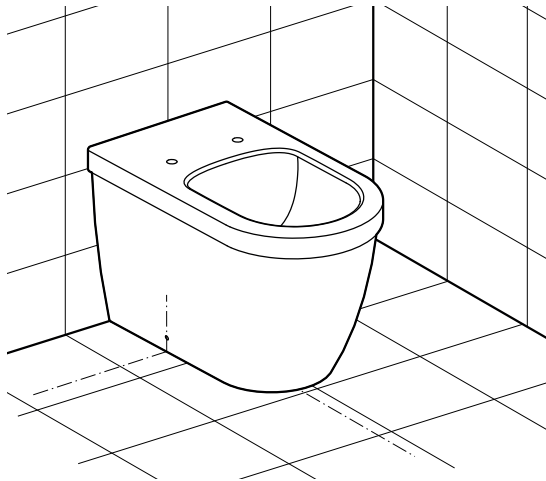
# FLOOR-STANDING TOILET

1

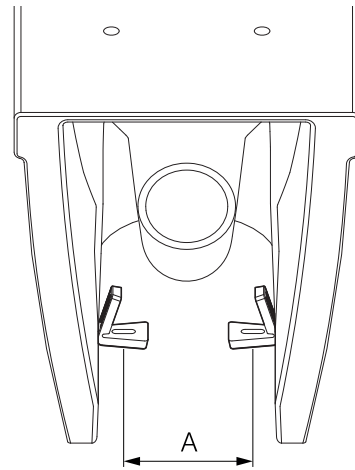


	A	B
W58.0362.0000.0	353	180
W55.0356.0000.0	348	180
W70.0355.0001.0	341	180

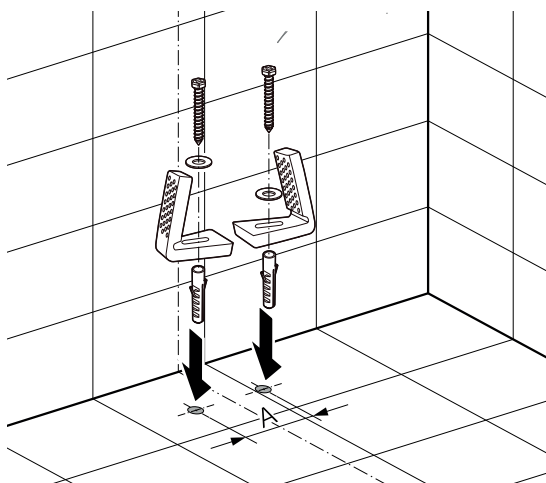
2



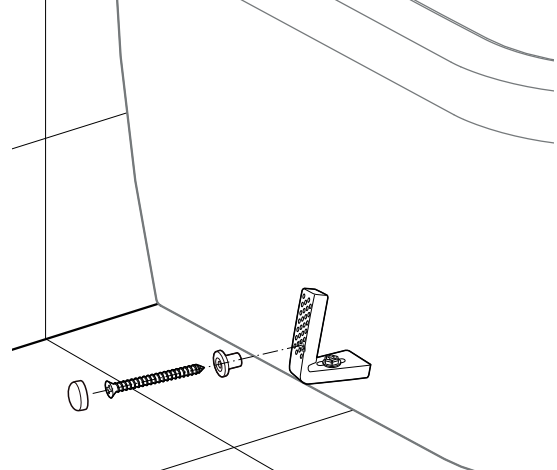
3



4  $\varnothing 12 \text{ mm}$  PH 2



5 PH 2





**FLOOR-STANDING TOILET**

**6** 

