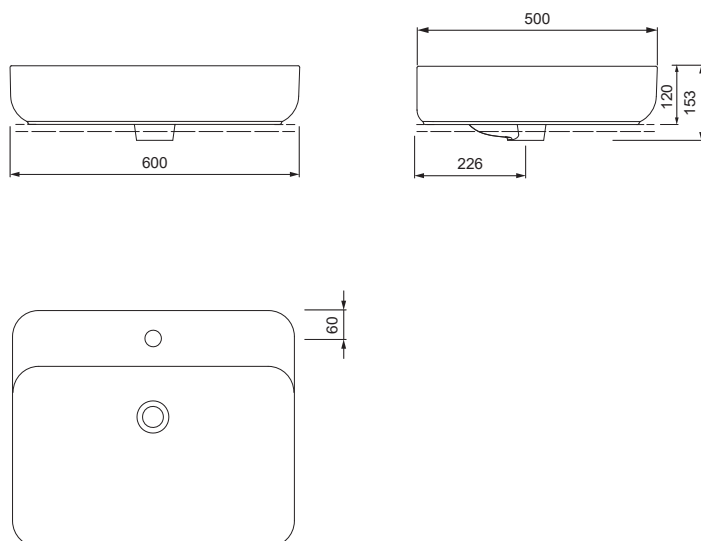


GRACE

ABOVE COUNTER WASHBASIN L50.0260.0011.0



PRODUCT DETAILS

Dimensions / Weight	600 x 500 mm / 17.7 kg
Installation	Counter top
Tap fitting	With tap platform
Material	With easy-clean surface
Overflow	With overflow, clip included
Scope of delivery	Ceramic including fixing material

SPECIFICATION TEXT

AXENT Grace above counter washbasin. Design by Matteo Thun & Antonio Rodriguez. Sanitary ware with tap platform for single-hole faucet. With overflow and clip included. Square basin shape. AXENT easy-clean surface. Dimension (WxDXH) 600x500x153 mm. White. Order no. L50.0260.0011.0