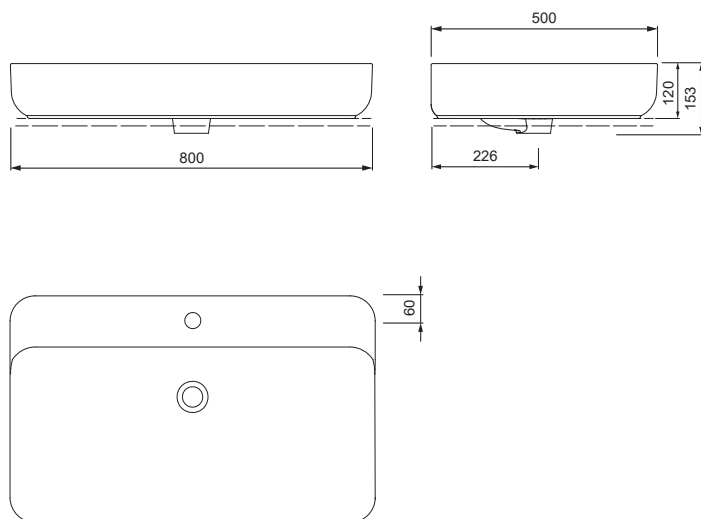


# GRACE

**ABOVE COUNTER WASHBASIN** L50.0280.0011.0

## PRODUCT DETAILS

Dimensions / Weight	800 x 500 mm / 22,8 kg
Installation	Counter top
Tap fitting	With tap platform
Material	With easy-clean surface
Overflow	With overflow, clip included
Scope of delivery	Ceramic including fixing material

## SPECIFICATION TEXT

AXENT Grace above counter washbasin. Design by Matteo Thun & Antonio Rodriguez. Sanitary ware with tap platform for single-hole faucet. With overflow and clip included. Square basin shape. AXENT easy-clean surface. Dimension (WxDxH) 800x500x153 mm. White. Order no. L50.0280.0011.0