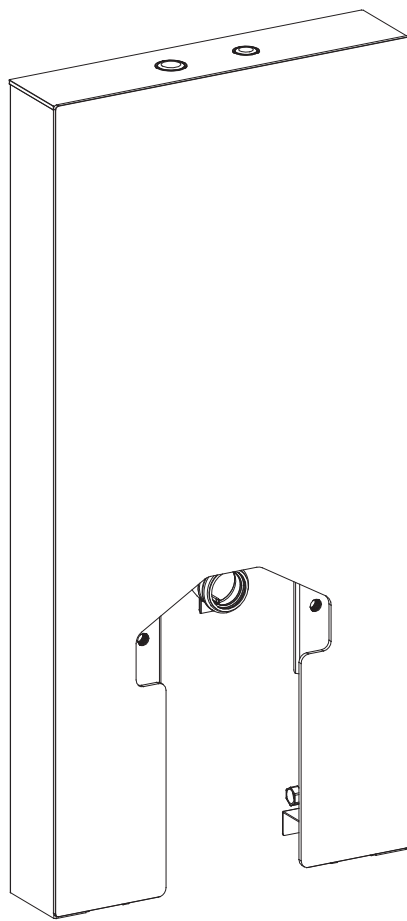


AXENT
SWITZERLAND

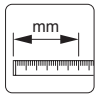


SANITARY MODULE
for AXENT.ONE

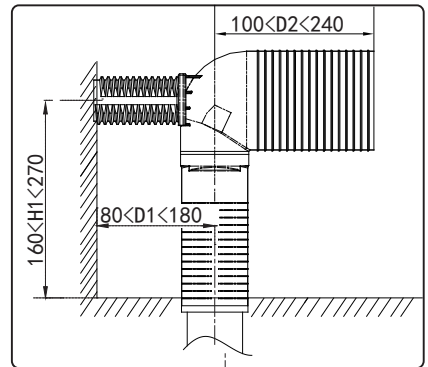
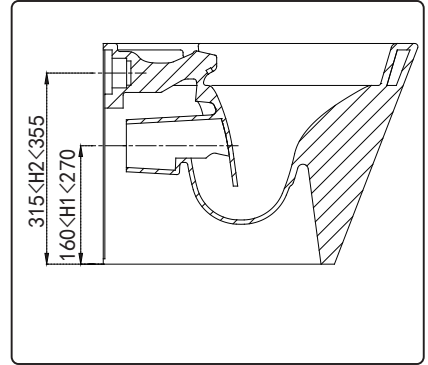
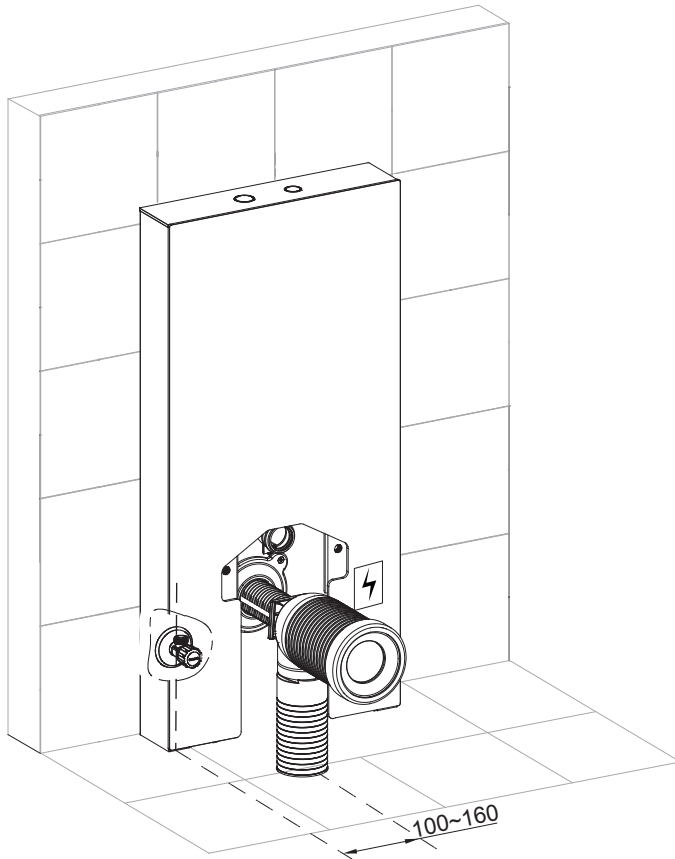
INSTALLATION INSTRUCTION



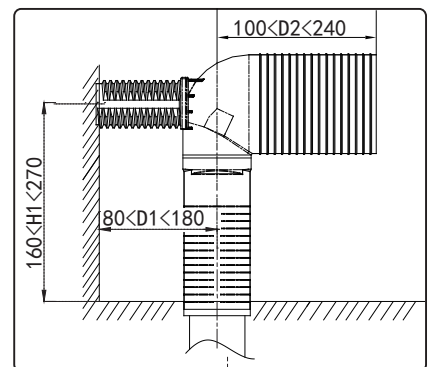
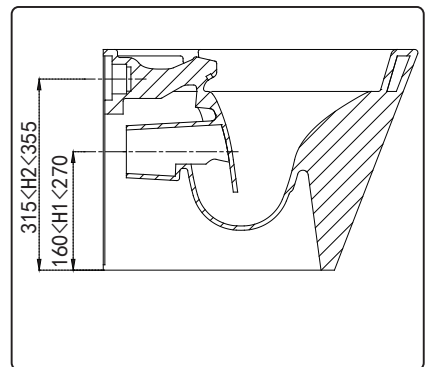
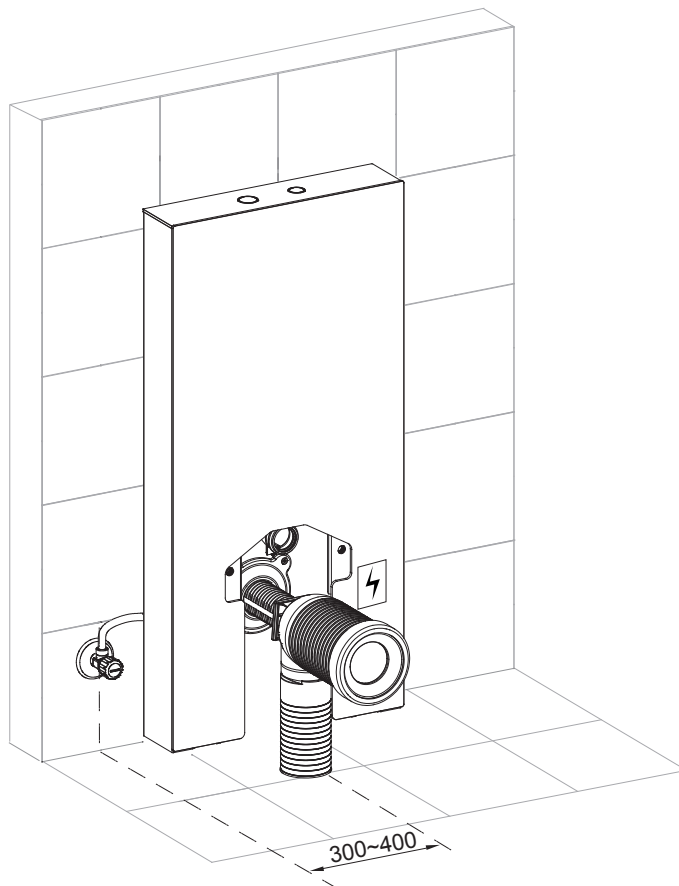
SANITARY MODULE



A



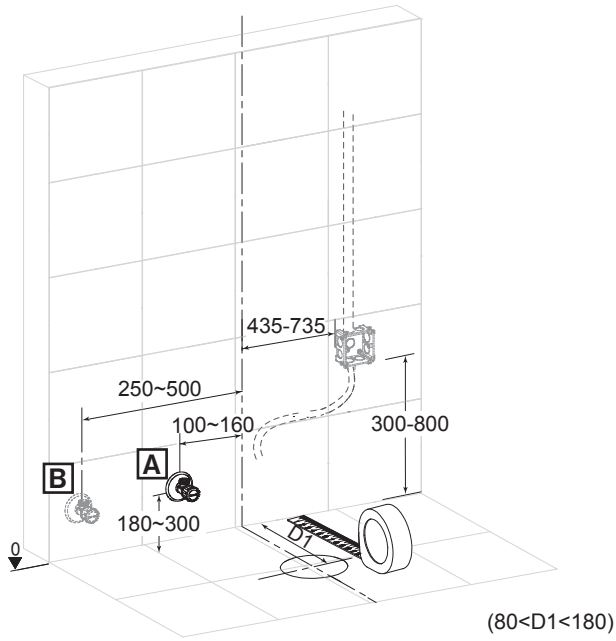
B



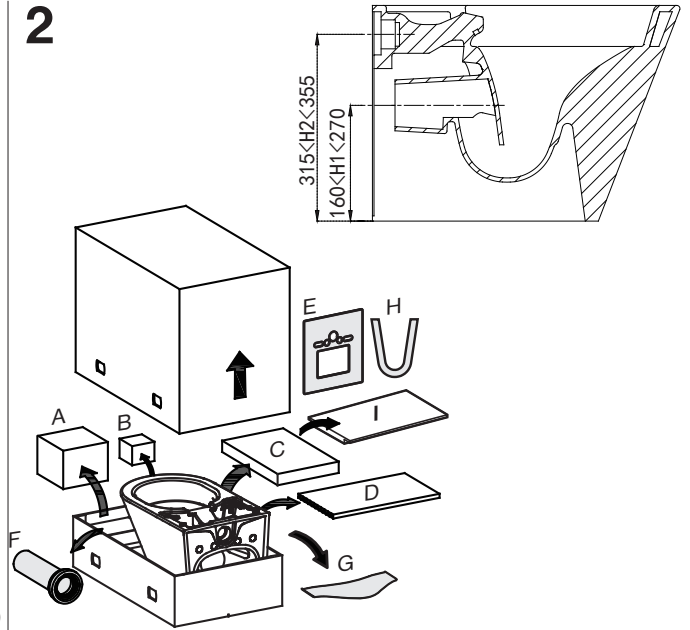


SANITARY MODULE

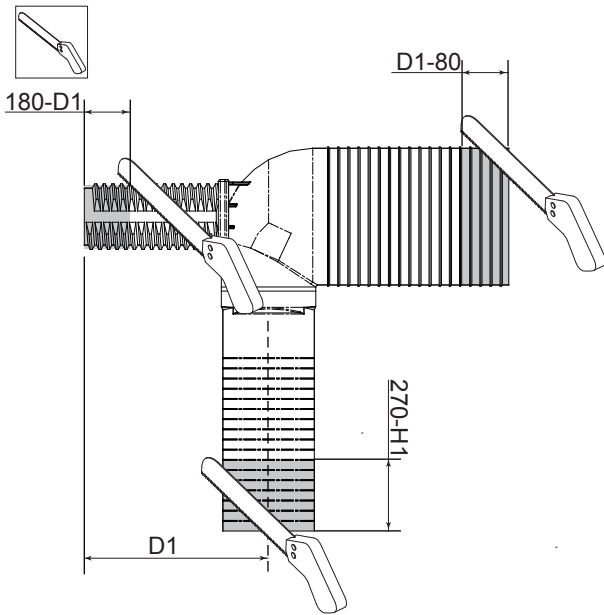
1



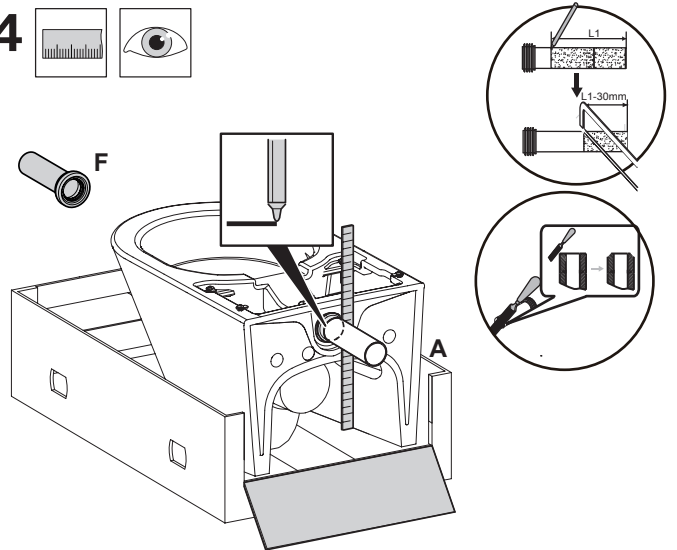
2



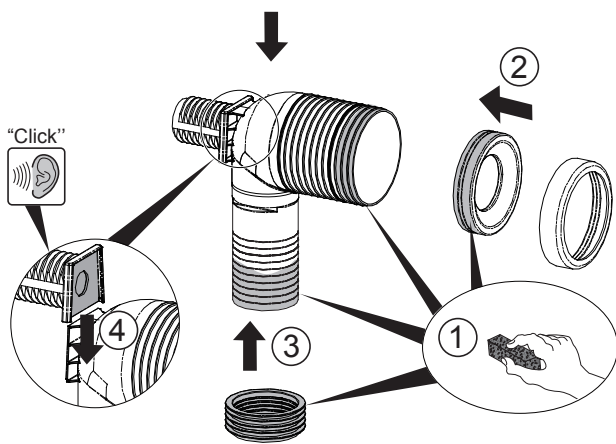
3



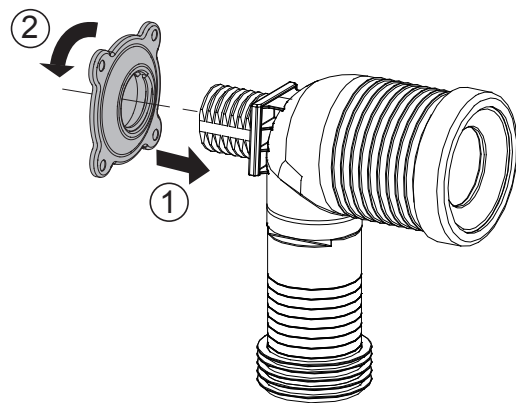
4



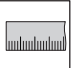
5

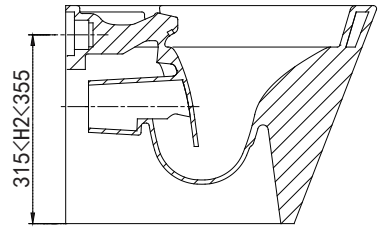
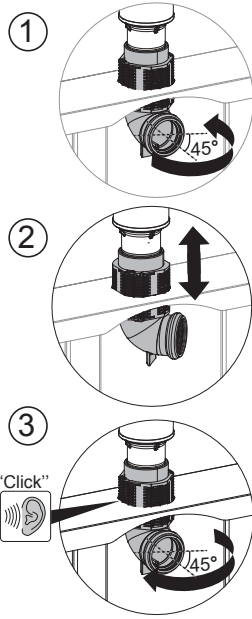
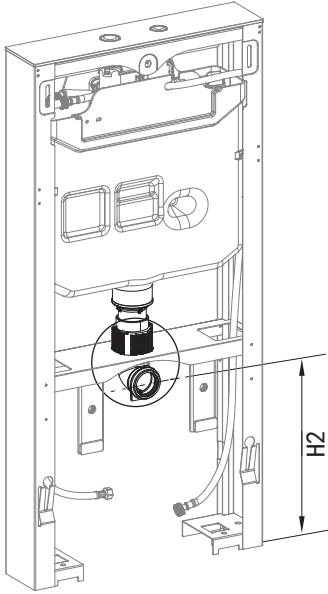


6

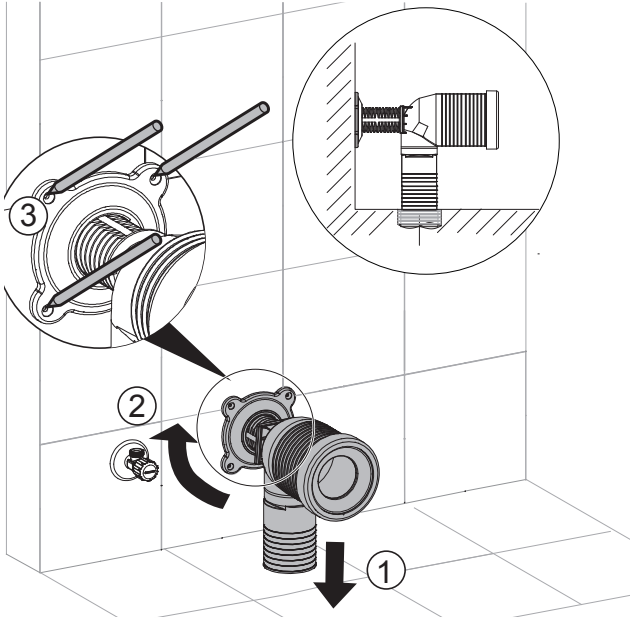


SANITARY MODULE

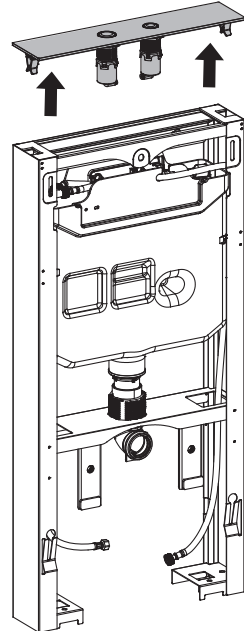
7 



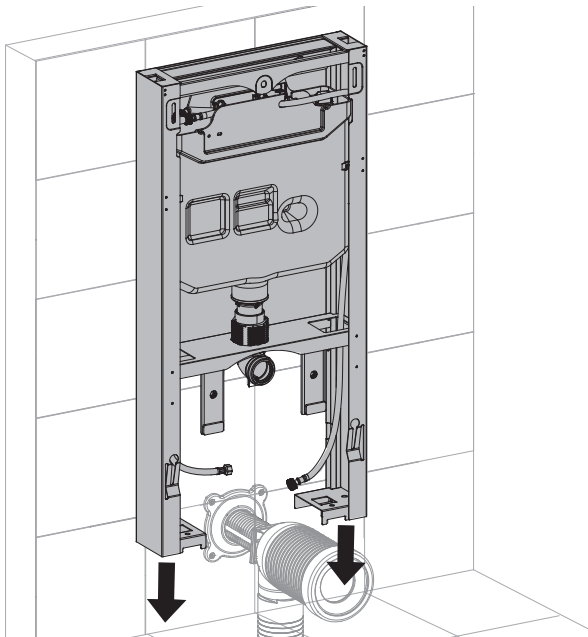
8



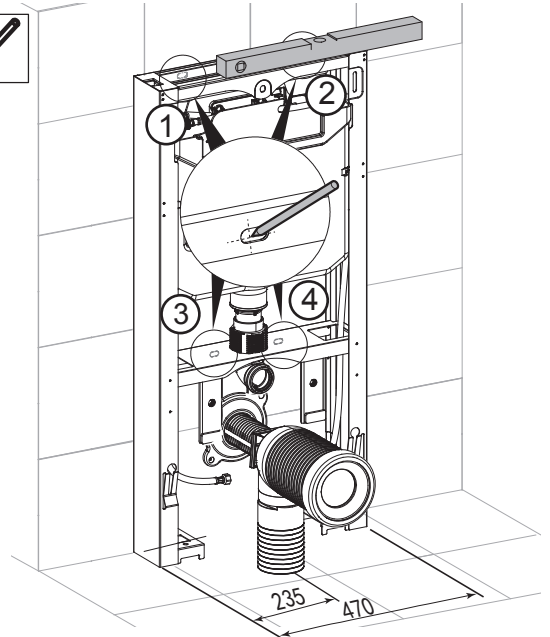
9



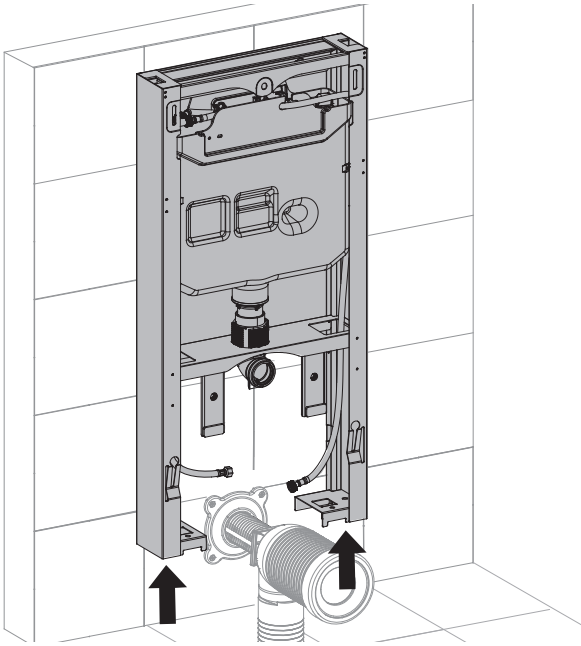
10



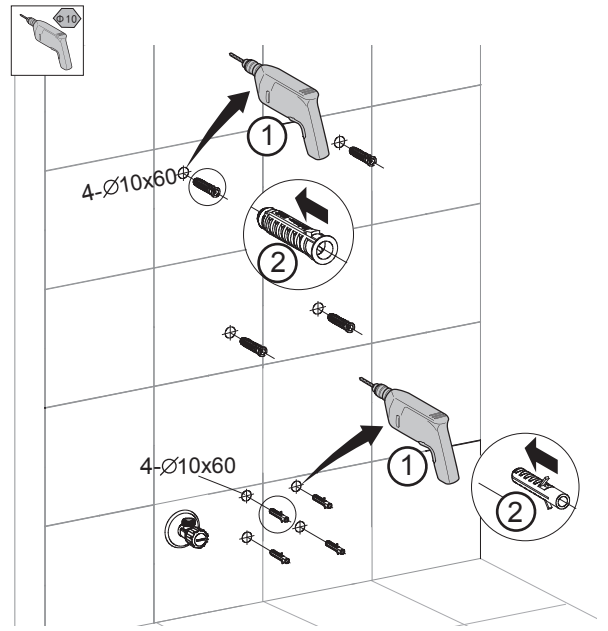
11 



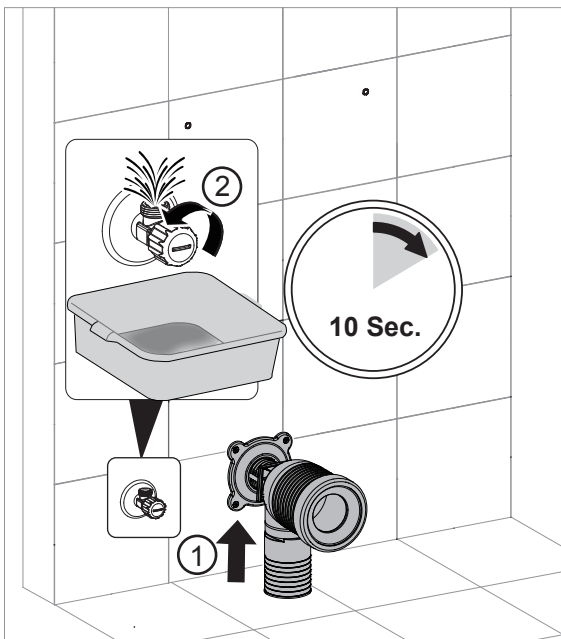
12



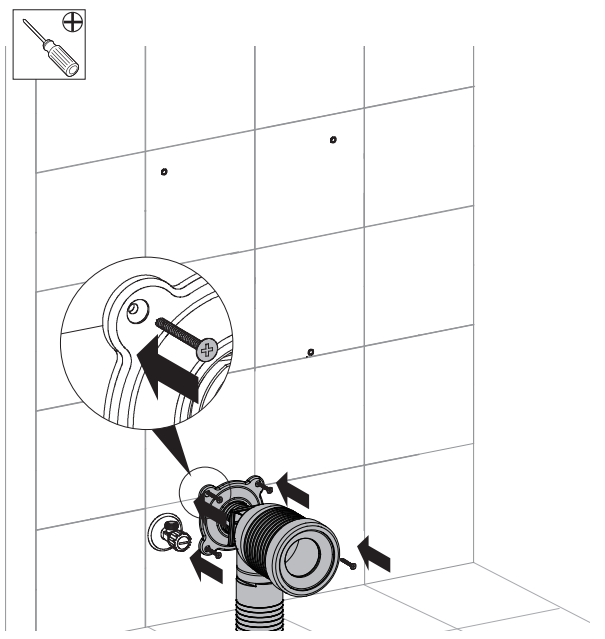
13



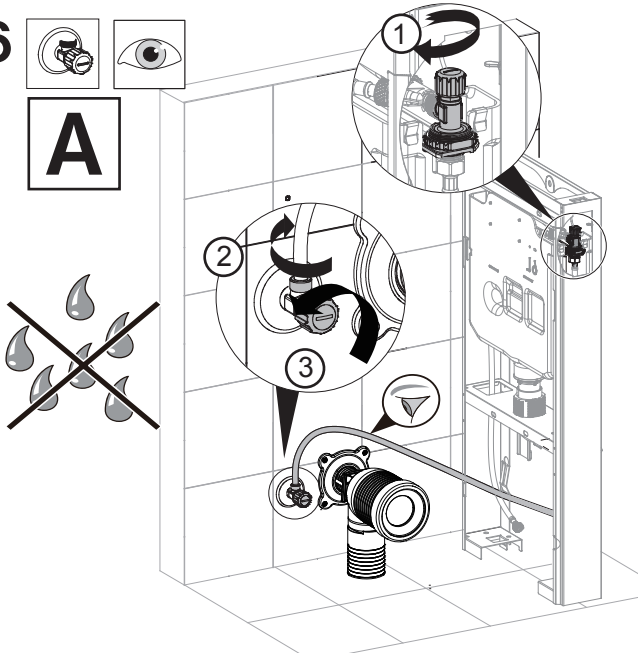
14



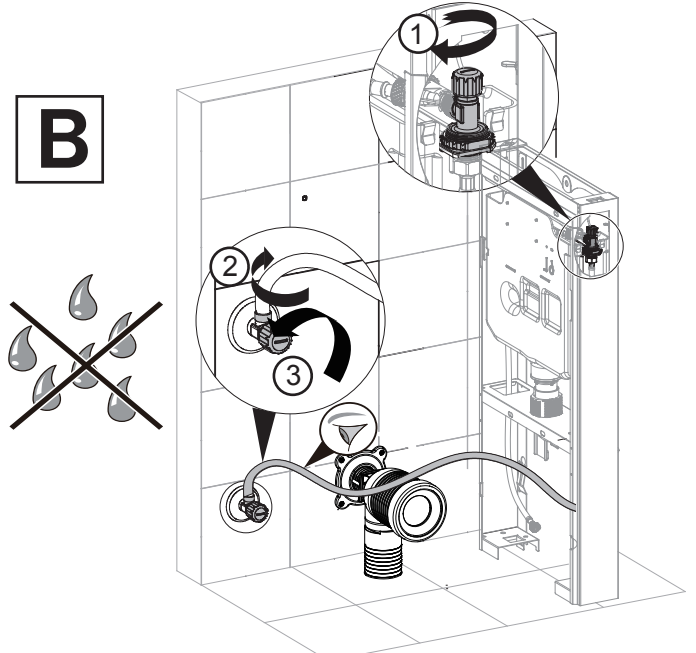
15



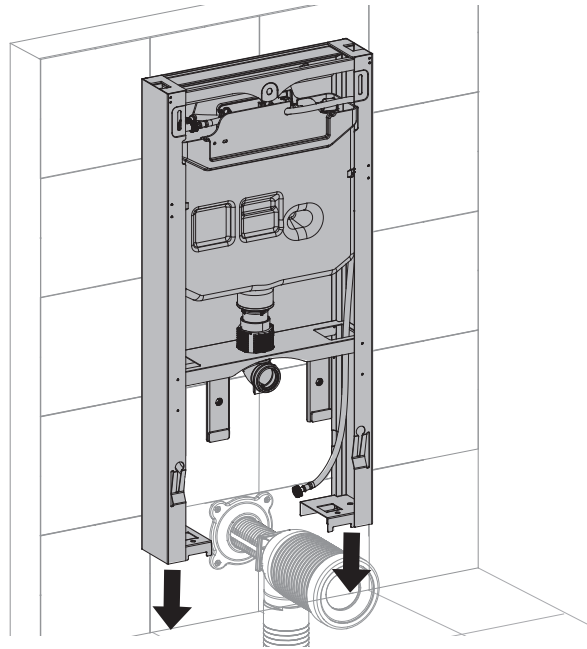
16



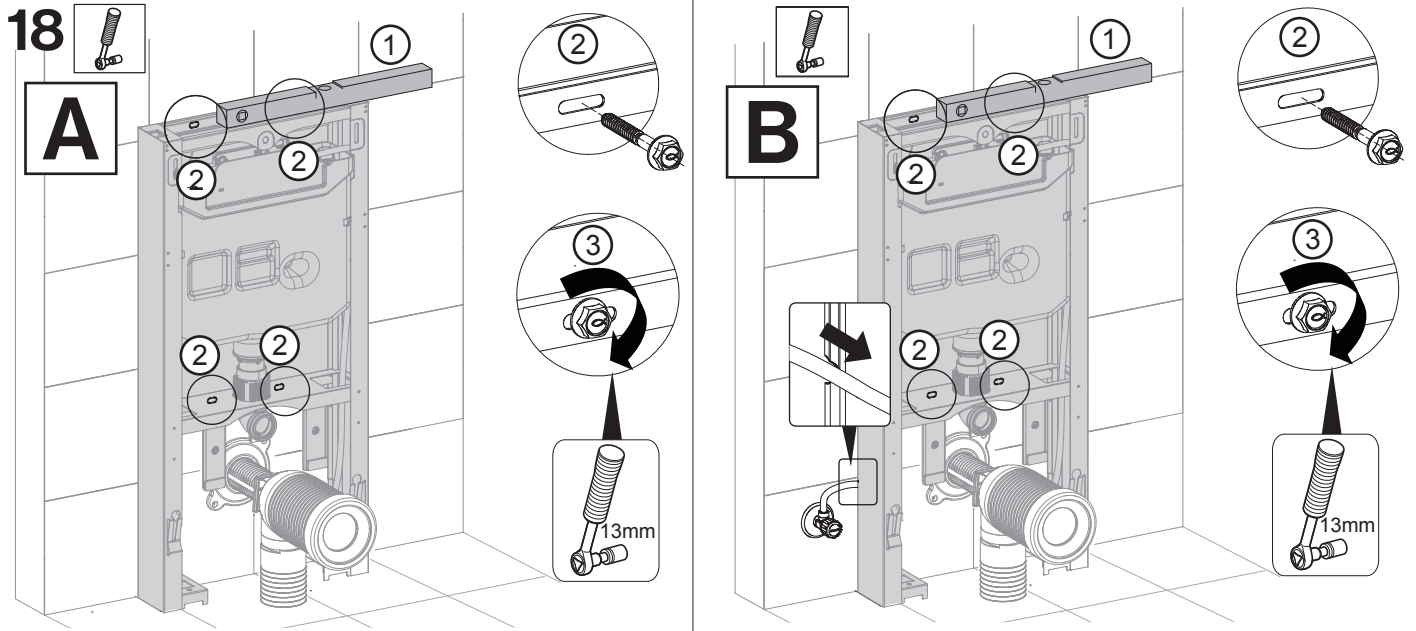
B



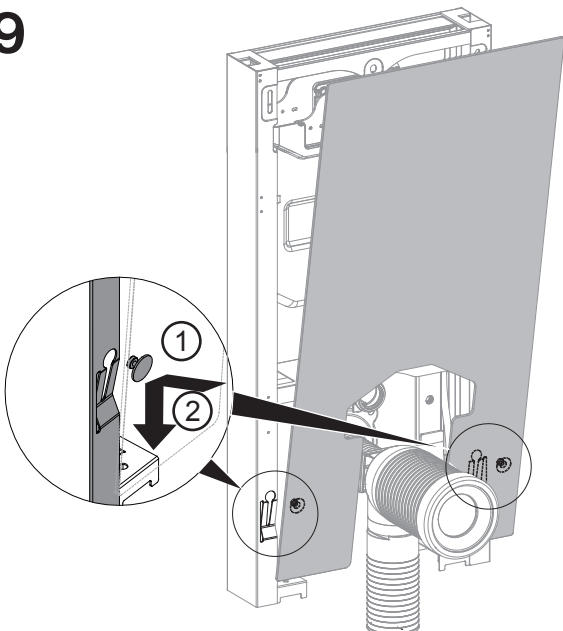
17



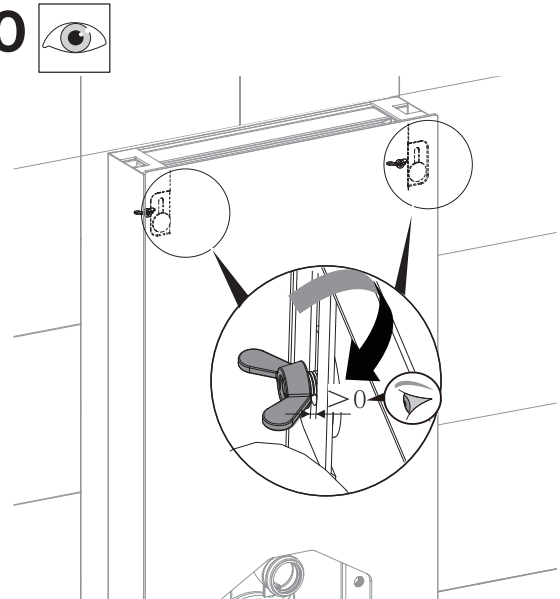
18



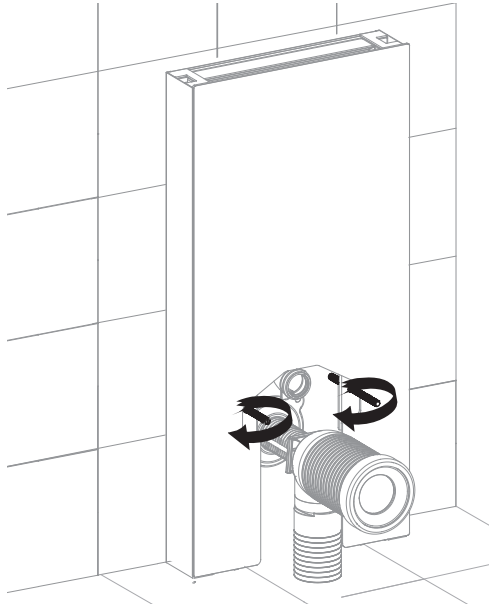
19



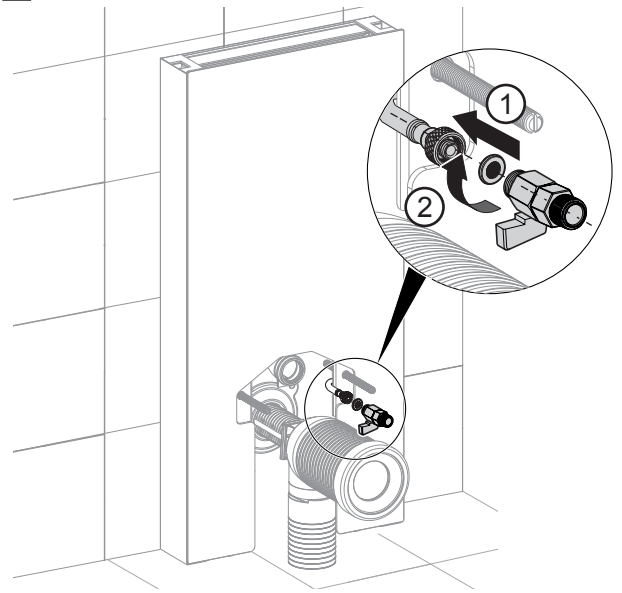
20



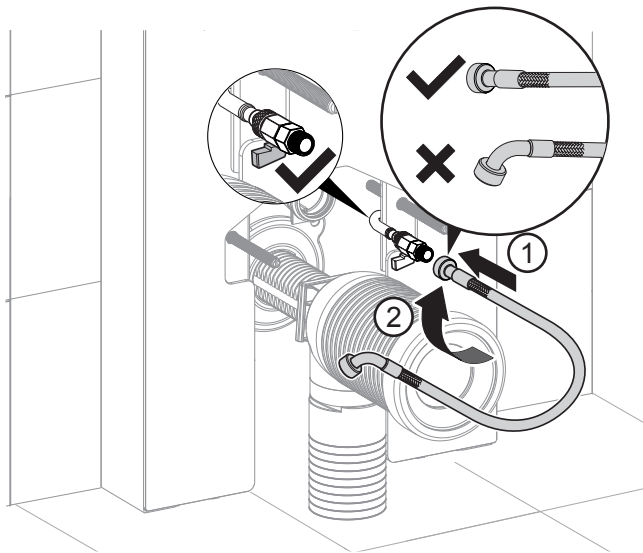
21



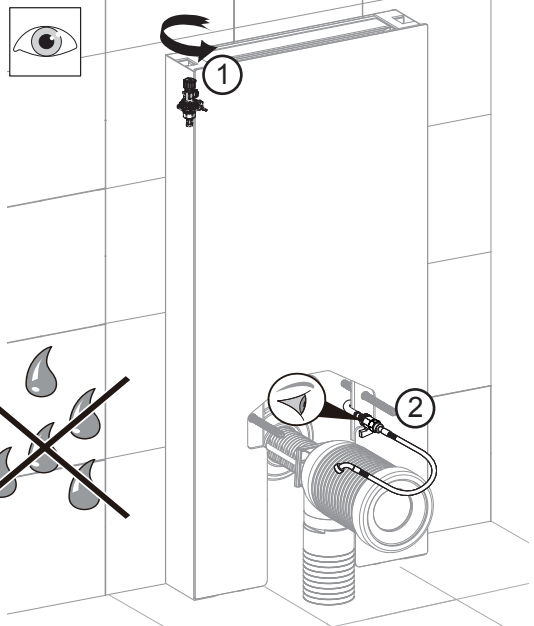
22



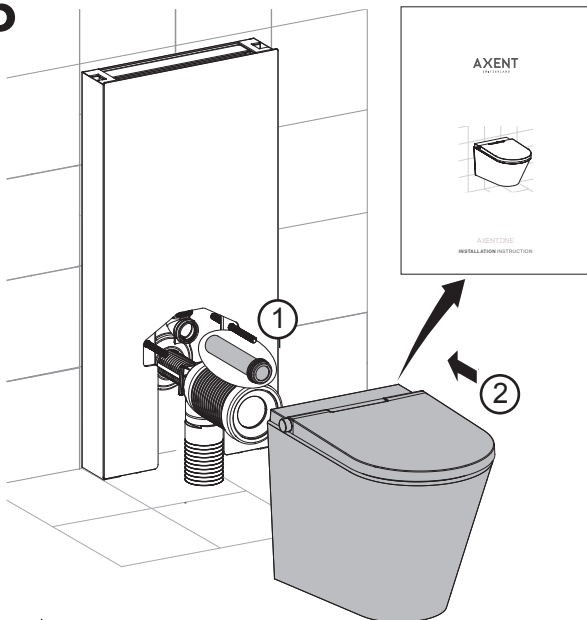
23



24



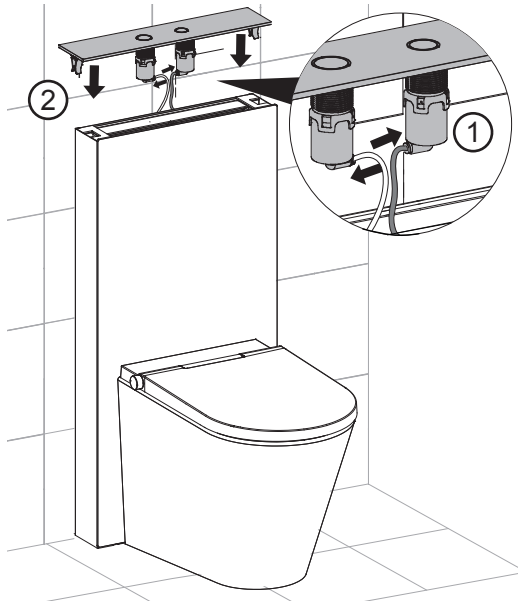
25



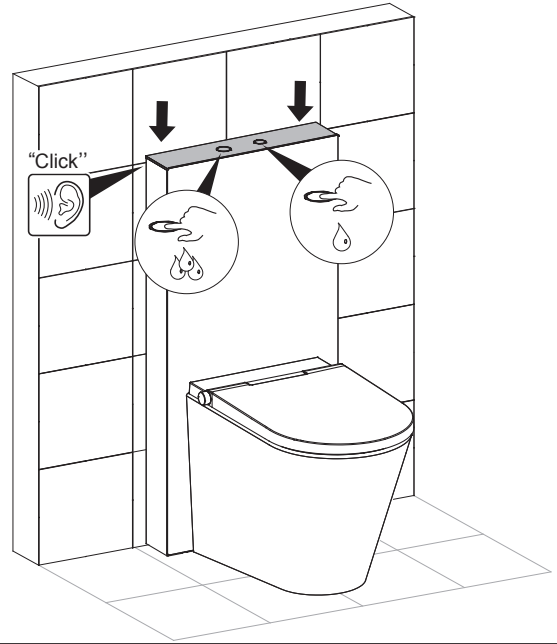
26



27



28



AXENT International AG

info@axentbath.ch

www.axentbath.ch