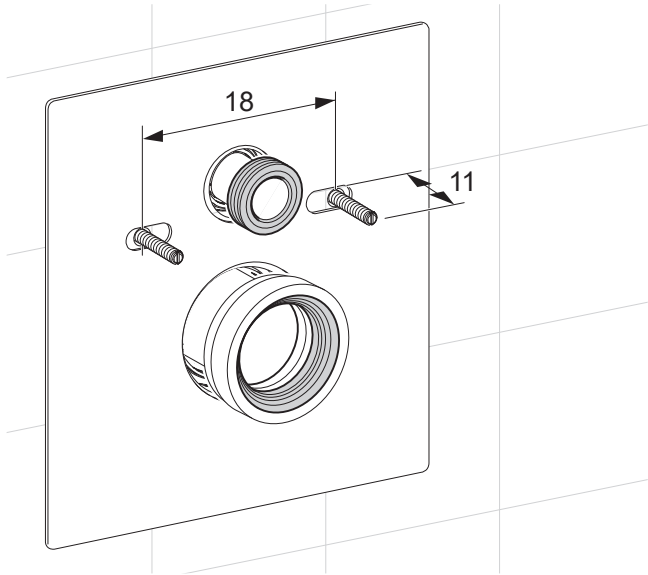
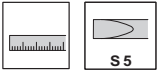


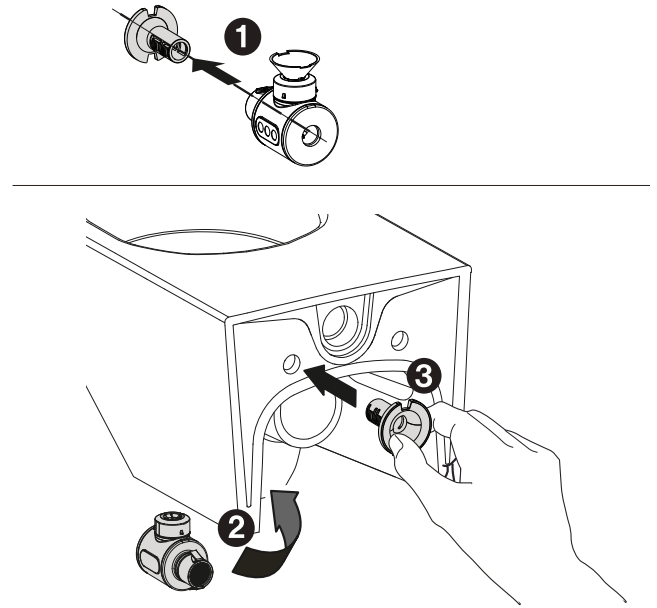


WALL-HUNG TOILET

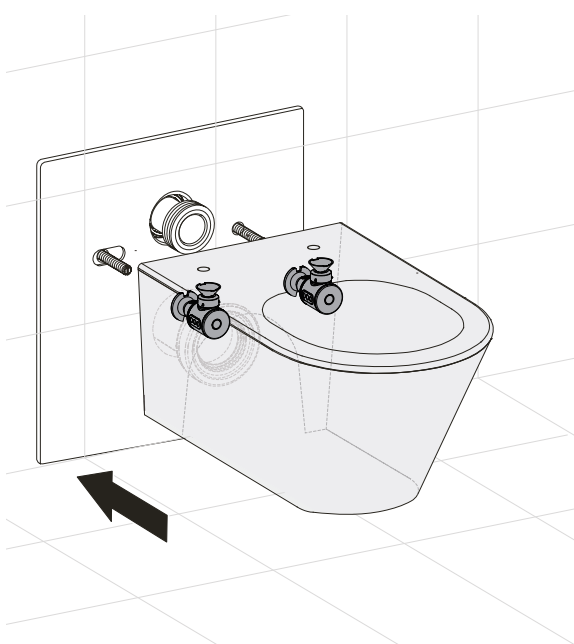
1



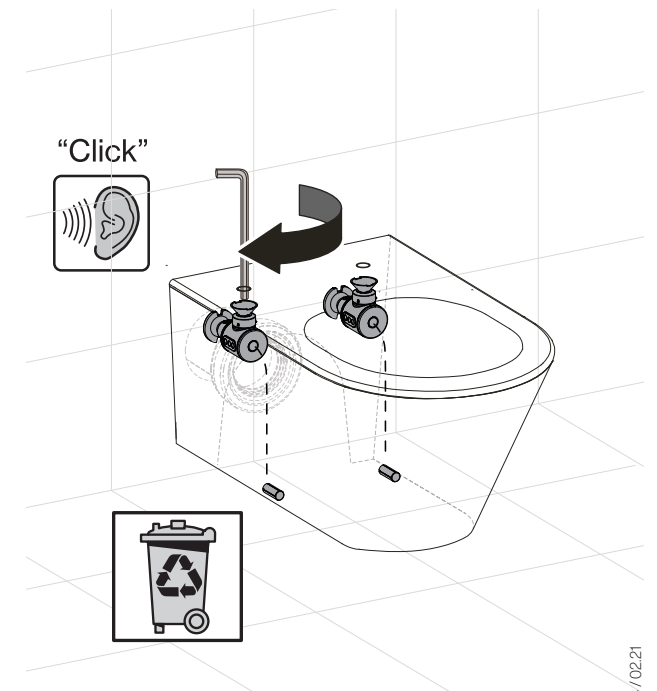
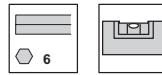
2



3



4



Z0012010004 / 02.21