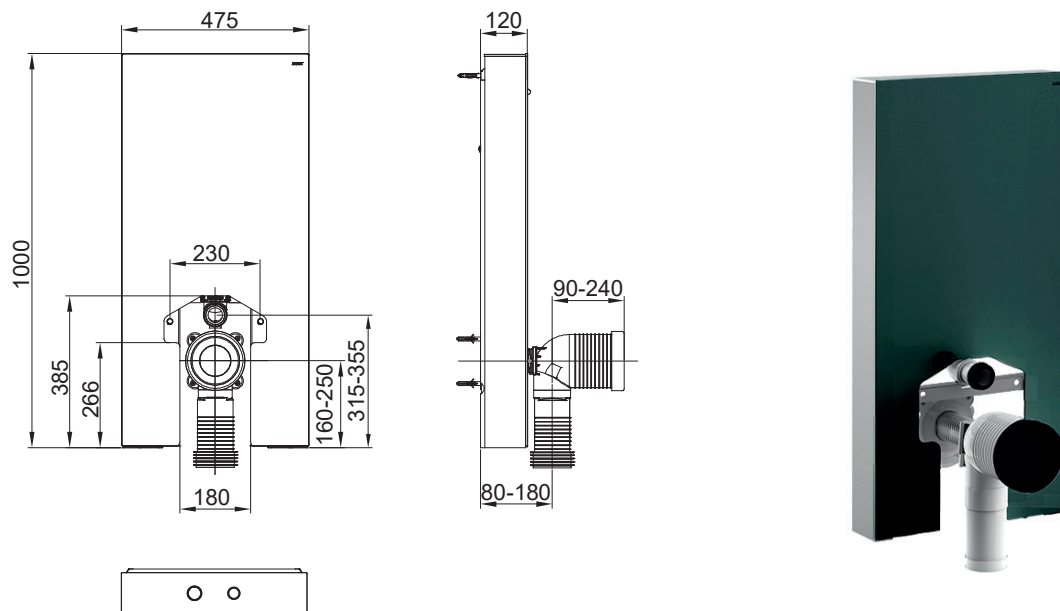


# SANITARY MODULE

**SANITARY MODULE FOR FLOOR-STANDING AXENT.ONE SHOWER TOILET** C80.0200.XX00.0



## PRODUCT DETAILS

Dimensions / Weight	475 x 120 x 1000 mm / 20,5 kg
Adaptable water pressure	0.1 - 0.7 bar
Flushing volume	6 / 3 L
Color of Glass	White or Black
Scope of delivery	Complete Module incl. drainage pipes and fastening material

## APPLICATION

In combination with AXENT.ONE Floor-standing shower toilet E80.0600.0001.9 or AXENT.ONE<sup>PLUS</sup> Floor-standing shower toilet E80.610.0001.9.

## SPECIFICATION TEXT

AXENT Sanitary module for AXENT.ONE Floor-standing shower toilets with dual flush technology, designed by AXENT. Flush volume 6/3, frontal cover in glass.

Order no. C80.0200.0000.0 with glass in white; C80.0200.0100.0 with glass in black.