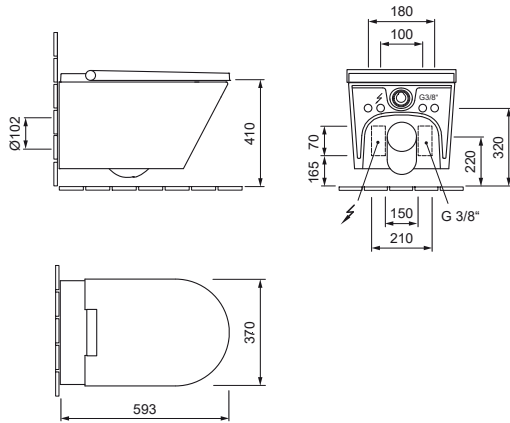


# AXENT.ONE

**SHOWER TOILET, WALL-HUNG** E81.0500.0001.9



## PRODUCT DETAILS

Dimensions / weight	370 x 593 x 397 mm / 29,0 kg
Flow pressure	0,7 – 7,5 bar
Water flow rate, wash function	0,35 – 0,85 l/min
Power consumption / nominal voltage	1600 W / 230 V - 50Hz

## FEATURES

- Rear wash
- Lady wash
- Adjustable shower temperature
- Adjustable flow rate
- Adjustable spray arm position
- Subdued LED night light
- Descaling programme
- Remote control
- Five programmable user profiles
- App connection
- Toilet seat and lid with automatic soft close function and quick release
- Rimfree toilet bowl – for wall mounting
- Low-noise AXENT.Infinity flush
- Antibacterial ceramic glaze
- Stain-resistant AXENT Easy Clean coating
- Certified to DVGW W540 (German Technical and Scientific Association for Gas and Water), approved by SVGW (Swiss Technical and Scientific Association for Gas and Water)

## FULL DESCRIPTION

AXENT.ONE <sup>PLUS</sup> complete shower toilet system, design by Matteo Thun & Antonio Rodriguez.

Siphonic wall-hung toilet, required flush water 3 / 6 l to EN 997. Sanitary wear with concealed fastening. Rimless toilet bowl with antibacterial ceramic glaze. AXENT Easy Clean coating. Low-noise AXENT.Infinity flush.

Toilet seat and lid with automatic soft close function and antibacterial coating, easy to remove for cleaning. All functions can be controlled via the remote control and/or app.

Functions: Rear and lady wash, adjustment of spray arm position, adjustable water flow rate and temperature, programmable user profiles, descaling programme, night light.

Dimensions (WxDxH) 370x593x397 mm. White. Part no. E81.0500.0001.9