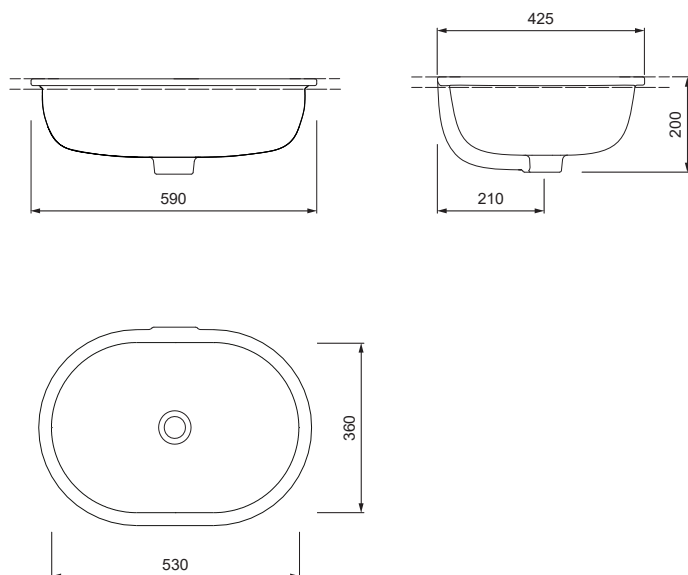


# AXENT.ONE C

**UNDER COUNTER WASHBASIN** L31.1159.0001.0

---



---

## PRODUCT DETAILS

|                     |                                      |
|---------------------|--------------------------------------|
| Dimensions / Weight | 590 x 425 mm / 9,5 kg                |
| Installation        | Under counter                        |
| Tap fitting         | None                                 |
| Material            | Fine Fire Clay with AXENT Easy Clean |
| Overflow            | With overflow including chrome clip  |
| Scope of delivery   | Ceramic including fixing material    |

---

## SPECIFICATION TEXT

AXENT.ONE C Under counter washbasin, design by Matteo Thun & Antonio Rodriguez. Sanitary ware without tap platform. With overflow. Oval basin shape. AXENT Easy Clean surface. Dimension (wxdxh) 590x425x200 mm. White. Order no. L31.1159.0001.0