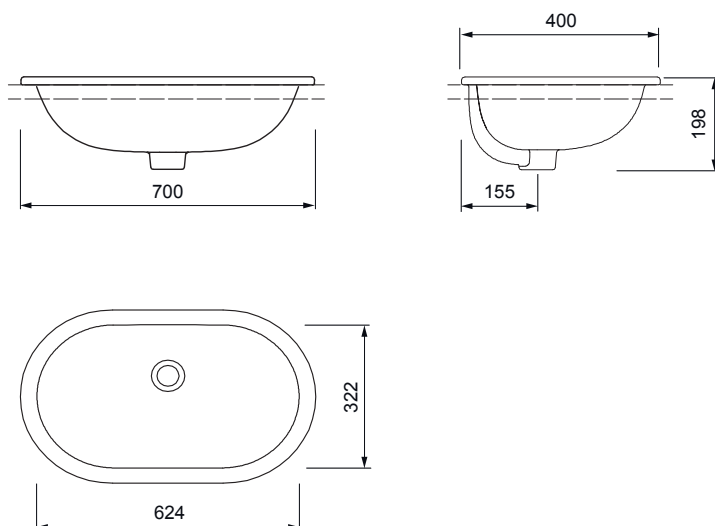


# WASHBASIN

**DORA BUILT-IN WASHBASIN** L08.0170.0001.0

## PRODUCT DETAILS

Dimensions / Weight	700 x 400 x 198 mm / 13,5 kg
Installation	Built-in
Tap fitting	None
Material	With easy-clean surface
Overflow	With overflow
Scope of delivery	Ceramic including fixing material

## SPECIFICATION TEXT

AXENT Dora Built-in washbasin, design by AXENT. Sanitary ware without tap platform. With overflow. Oval basin shape. AXENT easy-clean surface. Dimension (wxdxh) 700x400x198 mm. White. Order no. L08.0170.0001.0